



Bridgeport

5'- 60" x 30"

Skirted Tub

This 5' tub is great as a soaker tub. The Bridgeport is also perfect for renovations as it is designed to replace that old steel tub. Complete with integral skirt, tiling flange and raised head rest.

Over all rough dimensions are "60 x 30 1/2"

Operating Level:

22 Imp. Gal.

99 Litre

26 U.S. Gal.

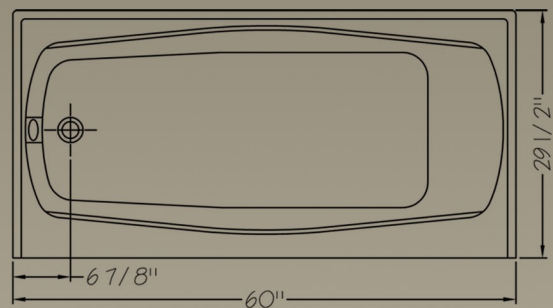
Standard Features Include:

- ~ Recessed Tile Flange to accommodate most finishing materials
- ~ Seamless design to eliminate mildew or germs
- ~ Easy to clean chip resistant surface.
- ~ Non skid floor
- ~ Fits most standard bathtub installations
- ~ Available in a left or right hand drain

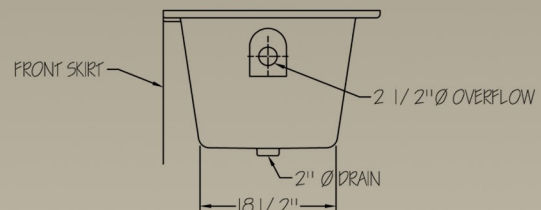
Glass World classic collections are manufactured from tough durable cast acrylic sheet, offering care free maintenance and a life time of pampered bathing. This smooth glossy finish is aesthetically appealing and is available in a wide array of high fashion decorator colours. Acrylic is naturally non slip. All of our tubs are designed to offer the basis of a luxurious and affordable bathing environment. The quality of our product is absolutely guaranteed.

Glass World products are manufactured and factory tested to meet the highest standards of quality, craftsmanship and performance. The Acrylic shell and hydro massage systems are all warranted for a period of one year.

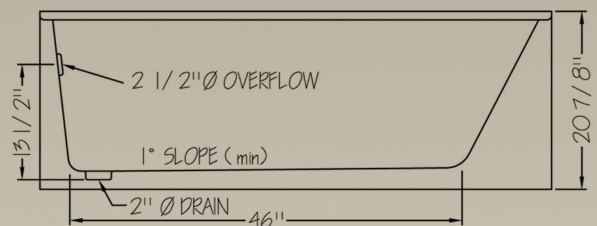
Approved for Canada and the US. All products are approved and certified to CSA Standards by Warnock Hearsy. Tested to CSA B45.0 & CSA B45.5



PLAN VIEW



END ELEVATION



FRONT ELEVATION