



Coquina

60" x 32"

5' - Acrylic Skirted Tub

This tub is sure to get your attention. With clean lines and a modern design the Coquina will add class to any bathroom. Extra deep bathing well makes soaking comfortable. Ask us about about a shower slider door to finish off your look. This tub is available in all popular designer colours with 4, 6 or 8 jet whirlpool systems and therapeutic hydro massage. In the main bathroom add a light kit and with the press of a button an instant night light for the kids.

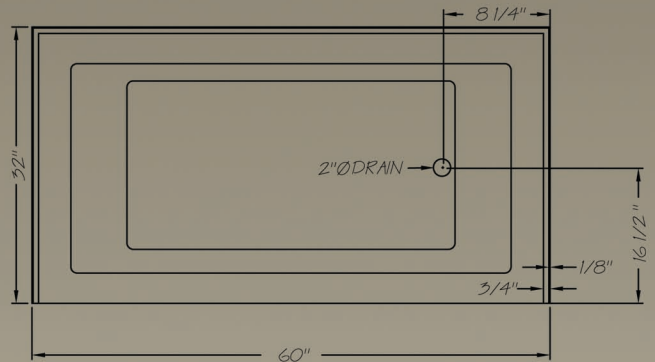
Standard Features Include:

- Recessed Tile Flange to accommodate most finishing materials
- Easy to clean chip resistant surface.
- Naturally non skid floor
- Available in left and right hand drain

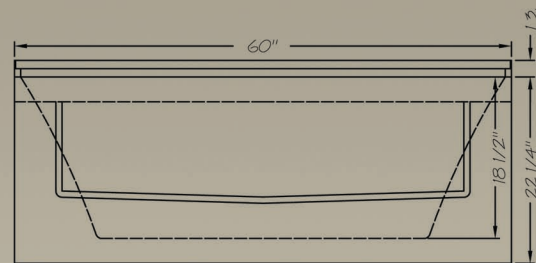
Glass World's Classic Collections are manufactured from tough durable cast acrylic sheet, offering care free maintenance and a lifetime of pampered bathing. This smooth glossy finish is aesthetically appealing and is available in a wide array of high fashion decorator colours. Acrylic is naturally a non-slip surface. All of our tubs are designed to offer the basis for a luxurious and affordable bathing environment. The quality of our product is absolutely guaranteed.

Glass World's products are manufactured and factory tested to meet the highest standards of quality, craftsmanship and performance. The acrylic shell and hydro massage systems have warranty coverage for a period of one year.

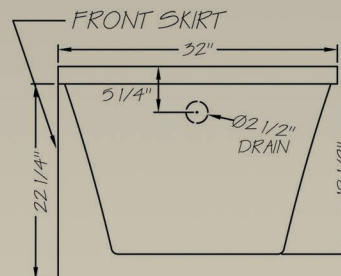
Approved for Canada and the United States. All products are approved and certified to CSA standards by Warnock Hearsy. Tested to CSA B45.0 & CSAB45.5.



PLAN VIEW



FRONT ELEVATION



END ELEVATION