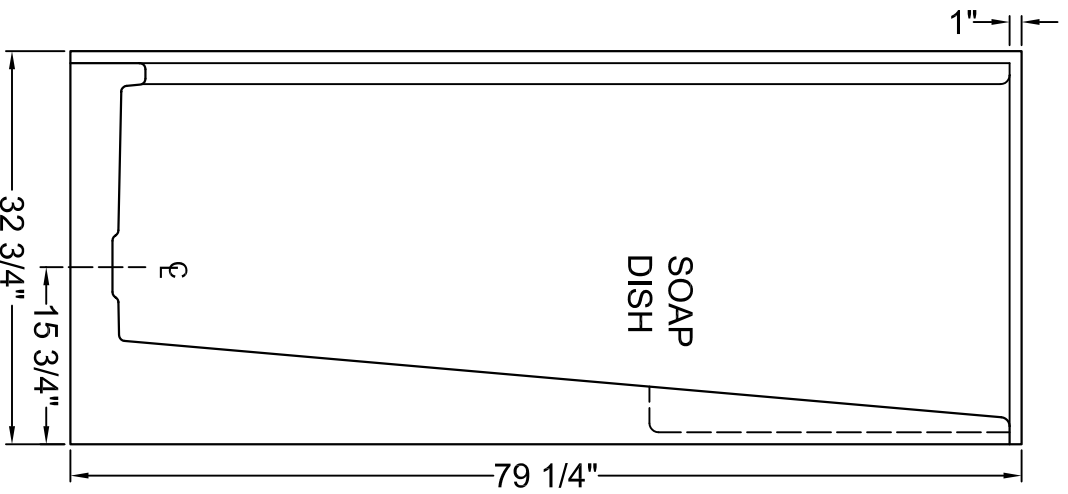
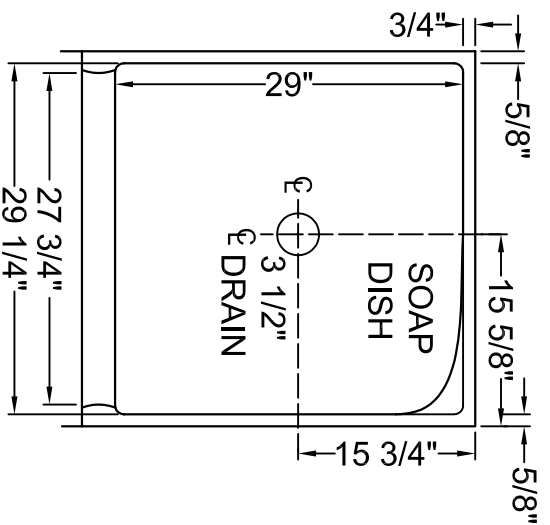


**FRONT VIEW**



**SIDE VIEW**



**TOP VIEW**

**Door Opening: 27 5/8"**

Name: SHOWER STALL 32" T

Date: 04-22-2002 Scale: 1/16" = 1"

File: SS32T.dwg Drawn by: D.Q.B.



Phone: 604-854-5757  
 Fax: 604-852-1850