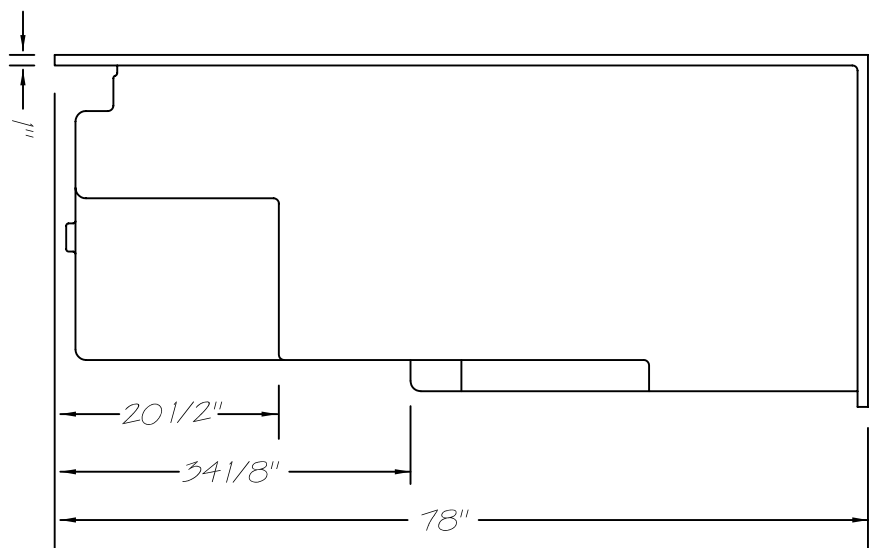
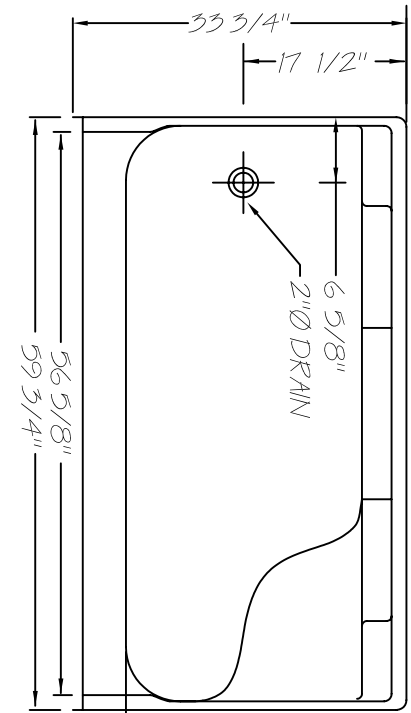


PLAN VIEW



SIDE VIEW



FRONT ELEVATION

Door Opening: 56 1/2"

Name: Shower Stall 60" X 34" L/H

Date: 06-01-2004 Scale: 1" = 1'-0"

File: 556034LH.dwg Drawn: RC



Tel: 604-854-5757
Fax: 604-852-1850