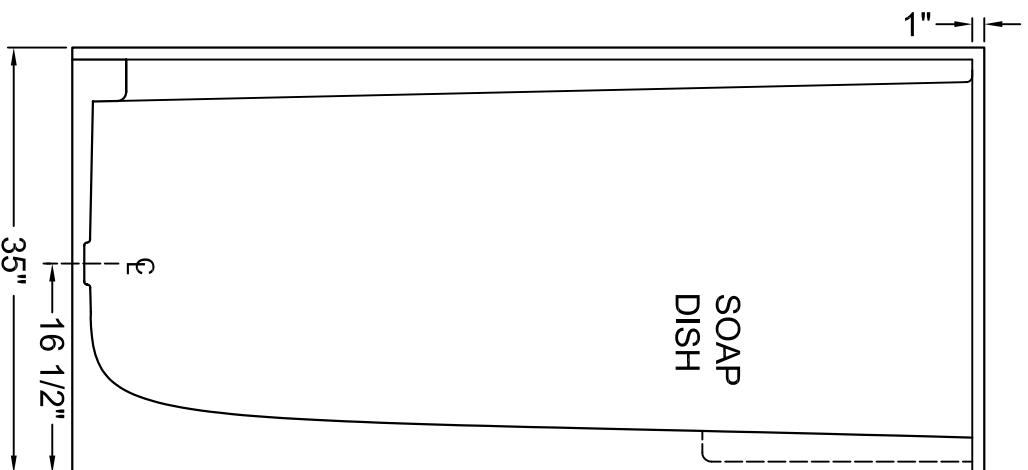
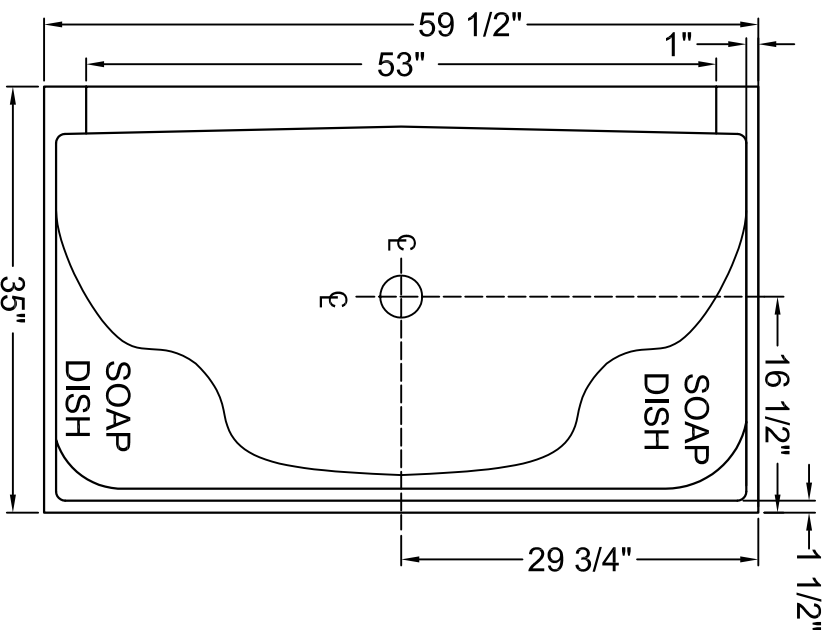


FRONT VIEW



SIDE VIEW



PLAN VIEW

Door Opening: 53 1/8"

Name: S.S. 60" x 36" Double Seat

Date: 04-22-2002 Scale: 1/16" = 1"

File: ss6036dst.dwg Drawn by: D.Q.B.



Phone: 604-854-5757
 Fax: 604-852-1850