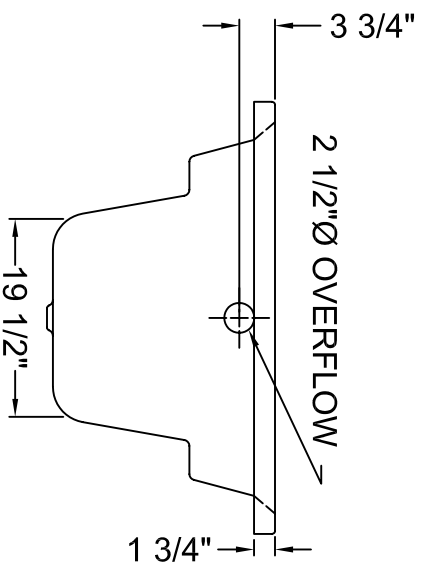
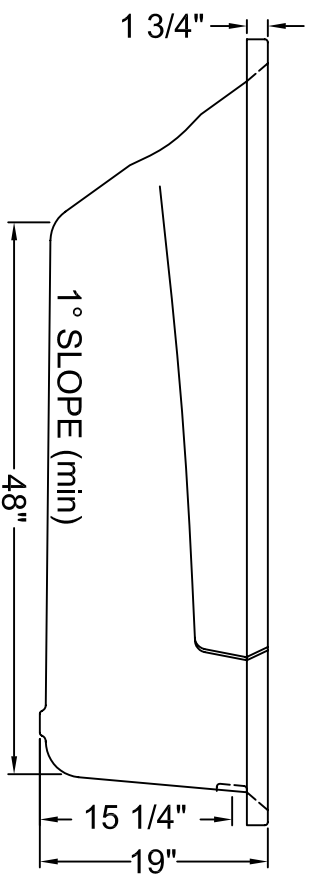


PLAN VIEW



END VIEW



FRONT VIEW

WATER CAPACITY
OPERATIONAL
LEVEL

Name: THE BELCARRA 5 1/2' Drop-in Tub

Date: 09-30-2002 Scale: 1/16" = 1"

File: belcarra.dwg Drawn by: D.'Q.'B.

LITRES: 129 L
GALLONS: 34 G



Phone: 604-854-5757
Fax: 604-852-1850