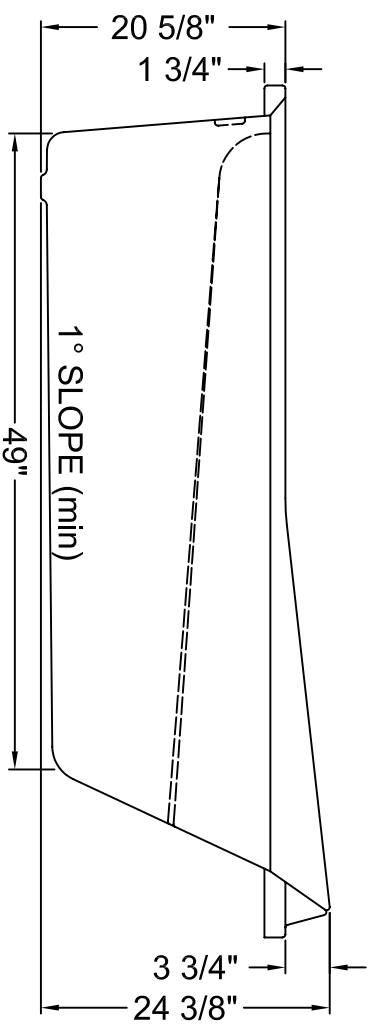
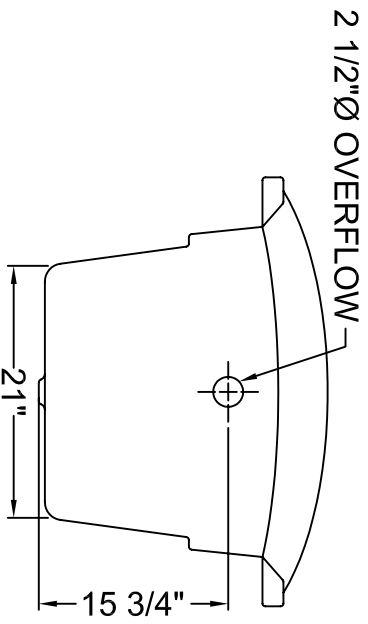


PLAN VIEW




FRONT VIEW



END VIEW

WATER CAPACITY  
OPERATIONAL  
LEVEL

LITRES: 148 L  
GALLONS: 39 G

Name: THE CHARLOTTE	
Date: 09-16-2002	Scale: 1/16" = 1"
File: charlotte.dwg	Drawn by: D. Q. B.
	
Phone: 604-854-5757	
Fax: 604-852-1850	