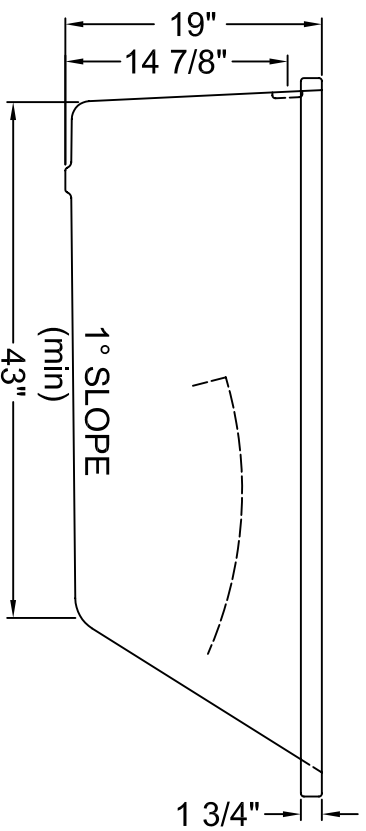
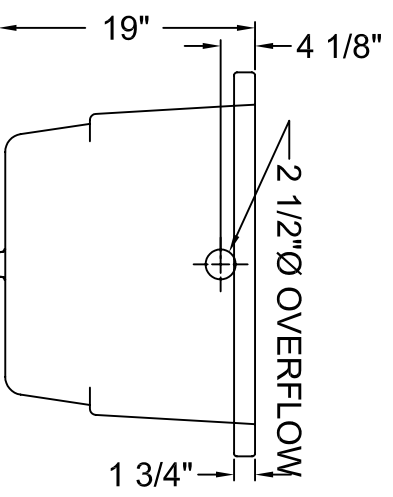


PLAN VIEW



FRONT ELEVATION

END ELEVATION



WATER CAPACITY  
OPERATIONAL LEVEL

Litres:	125 L
Gallons:	33 G

Name:	THE FAIRMONT 5' Drop Tub
Date:	08-28-2002
Scale:	1/16" = 1"
File:	Fairmont.dwg
Drawn by:	D. Q. B



Phone: 604-854-5757  
Fax: 604-852-1850