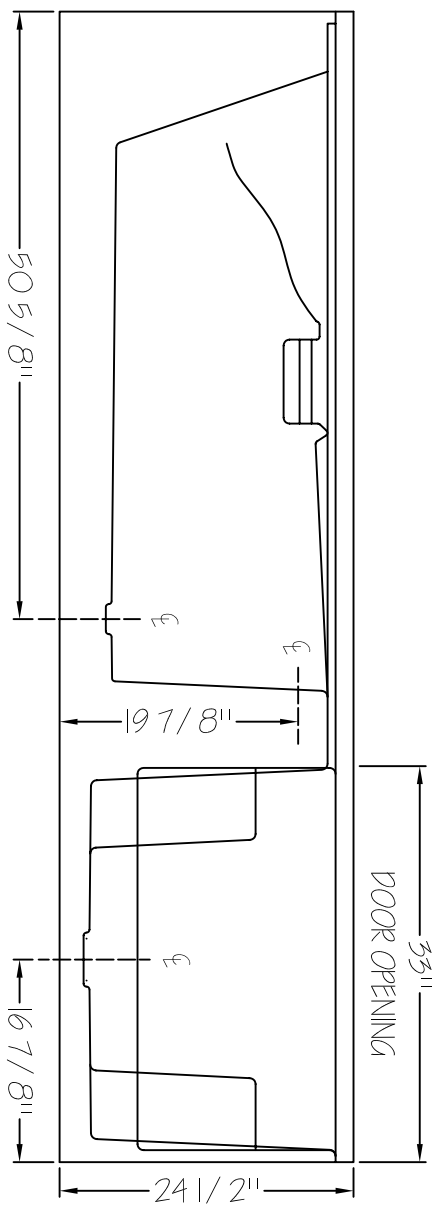



PLAN VIEW



FRONT VIEW

WATER CAPACITY
 OPERATIONAL LEVEL
 LITRES: 227 l
 GALLONS: 58 G

Name: THE PALSER	
Date: 05-30-2002	Scale: 1/16" = 1"
File: 15 9642.dwg	Drawn by: D.O'B.
 Telephone: 604-854-5757 Fax: 604-852-1850	