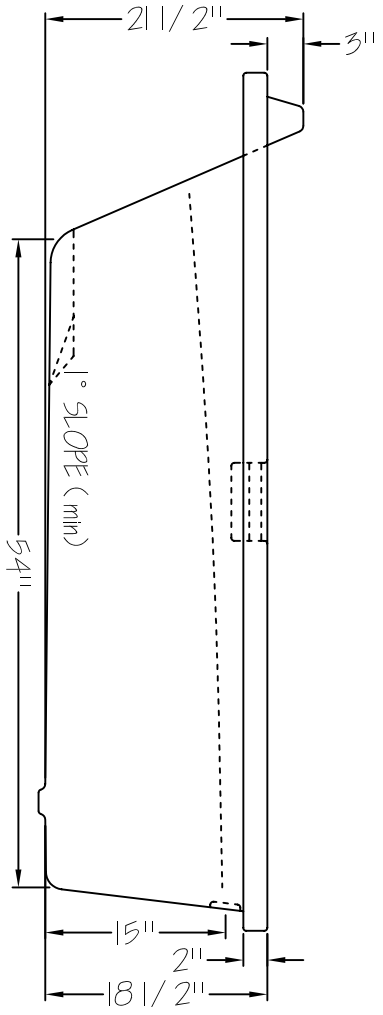
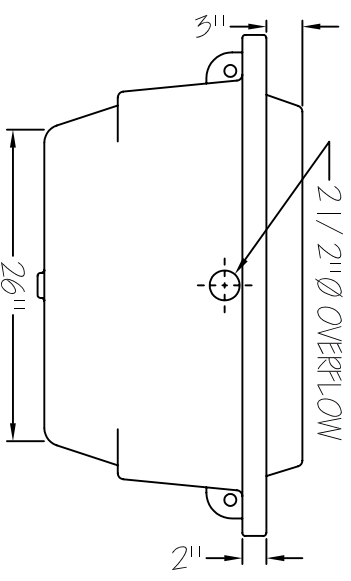


PLAN VIEW



FRONT ELEVATION



END ELEVATION

WATER CAPACITY
 OPERATIONAL LEVEL
 LITRES: 170
 GALLONS: 45 G

Name: THE PRINCETON Drop-In Tub
 Date: 08-29-2002 Scale: 1/16" = 1"
 File: BT 7242.dwg Drawn by: D.O.B.
 Telephone: 604-854-5757
 Fax: 604-852-1850

