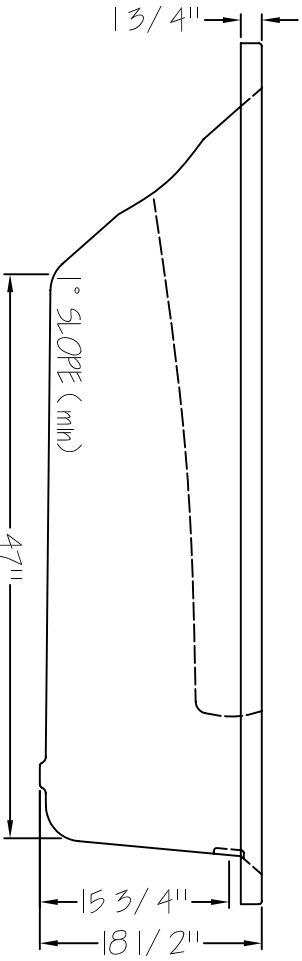
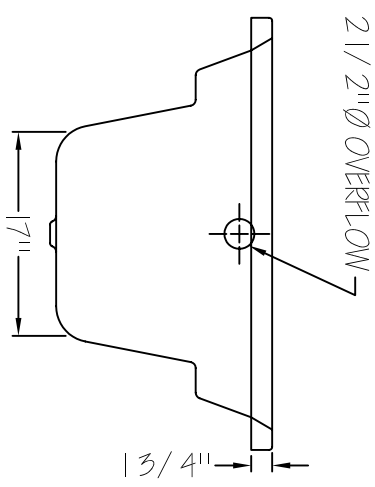


PLAN VIEW



FRONT ELEVATION



END ELEVATION

WATER CAPACITY	
OPERATIONAL LEVEL	
LITRES:	129 l
GALLONS:	34 G

Name:	THE TERRACE 6' Drop-in Tub		
Date:	09-30-2002	Scale:	1/16" = 1"
File:	BT 7136.dwg	Drawn by:	D.O'B.



Telephone: 604-854-5757
 Fax: 604-852-1850