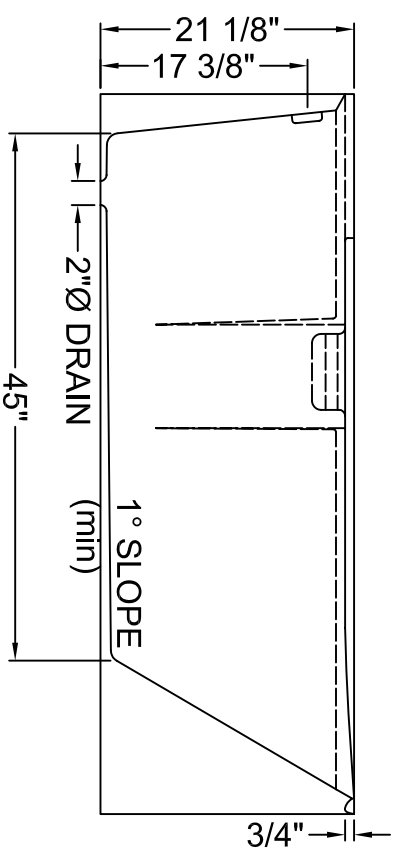
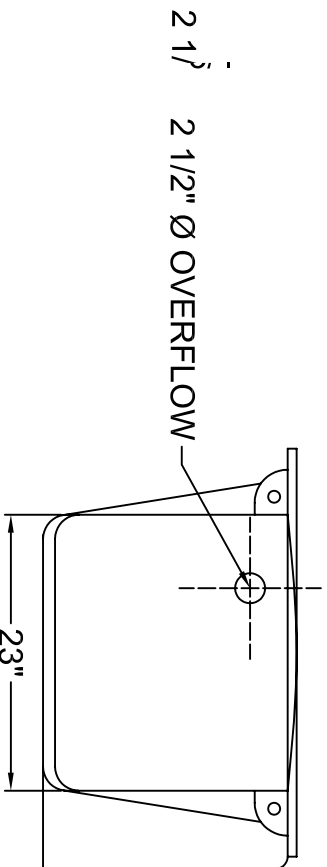


PLAN VIEW

FRONT ELEVATION



END ELEVATION



WATER CAPACITY
OPERATIONAL
LEVEL

LITRES: 144 L
GALLONS: 38 G

Name: THE TOFINO (LH)	
Date: 06-05-2002	Scale: 1/16" = 1"
File: tofino.h.dwg	Drawn by: D.Q.B



Phone: 604-854-5757
Fax: 604-852-1850