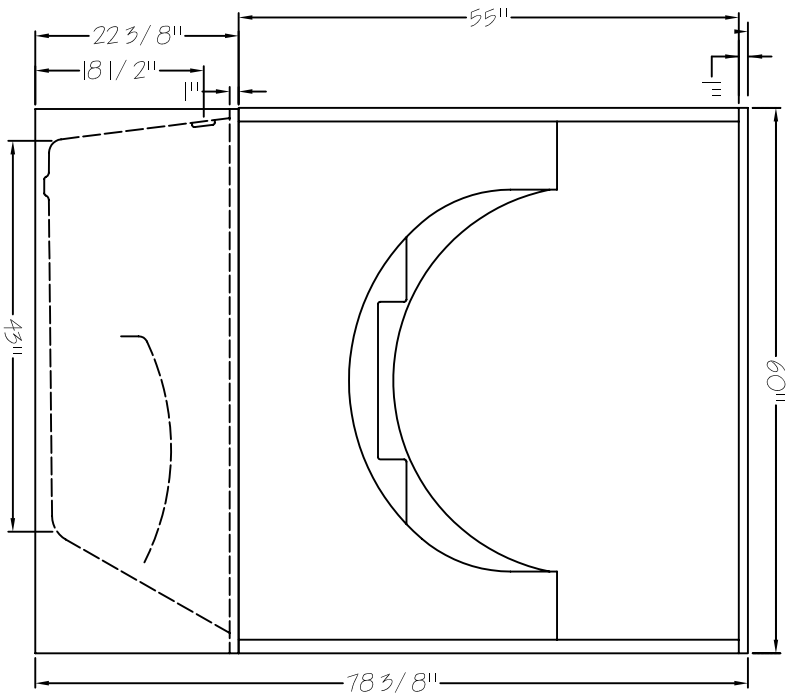
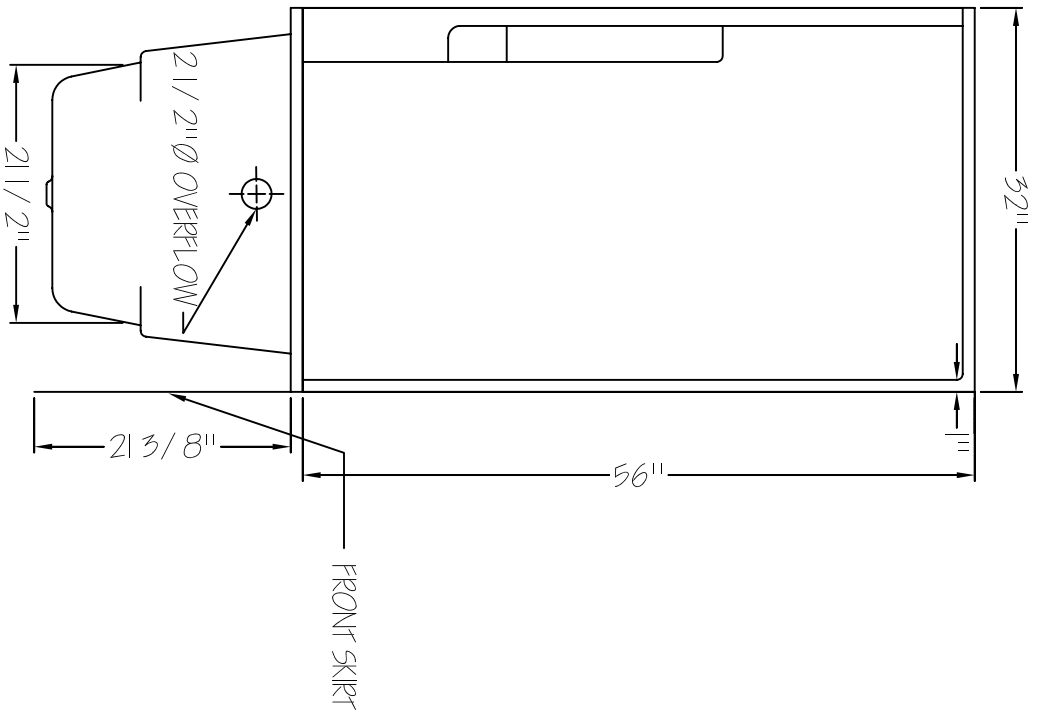


TOP ELEVATION



FRONT ELEVATION



END ELEVATION

WATER CAPACITY	125 LITRES	35 G
OPERATIONAL LEVEL		
Name: Armstrong LH	One Piece w/ skirt & flanges	
Date: 10-24-2005	Scale: 1/16" = 1"	
File: ArmstrongLH.dwg	Drawn by: D.J.F.	
GLASS WORLD	Telephone: 604-854-5757	604-852-1850