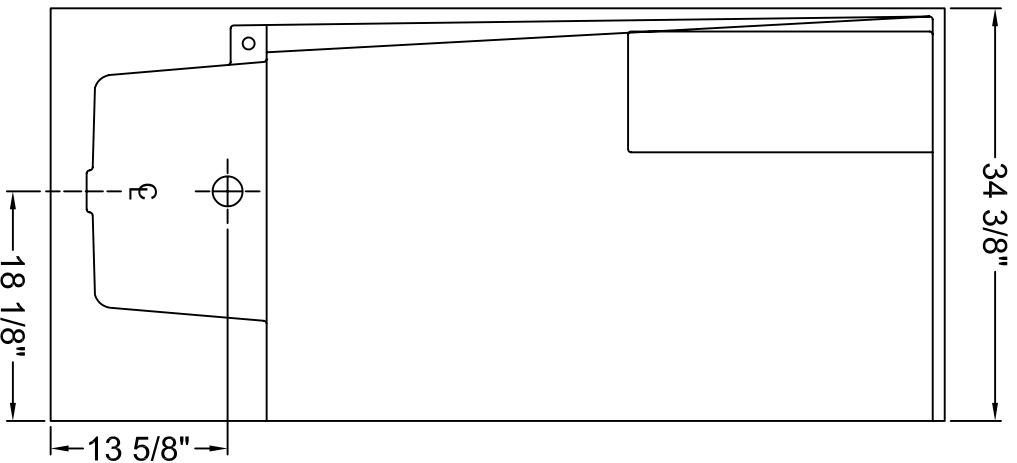
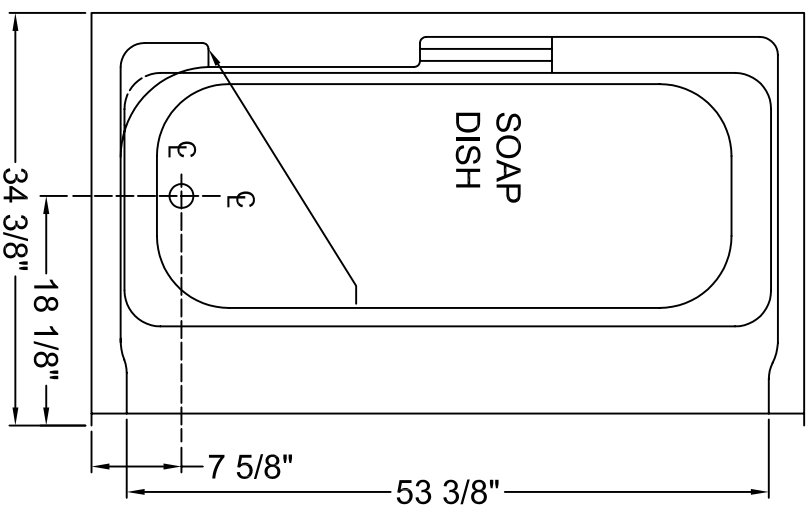


FRONT VIEW



SIDE VIEW



PLAN VIEW

Door Opening: 53 1/4"

Name: Tub & Shower 60" x 33" LH smooth

Date: 03-19-2003 Scale: 1/16" = 1"

File: TS6033LS.dwg Drawn by: D.Q.B.



Phone: 604-854-5757
 Fax: 604-852-1850