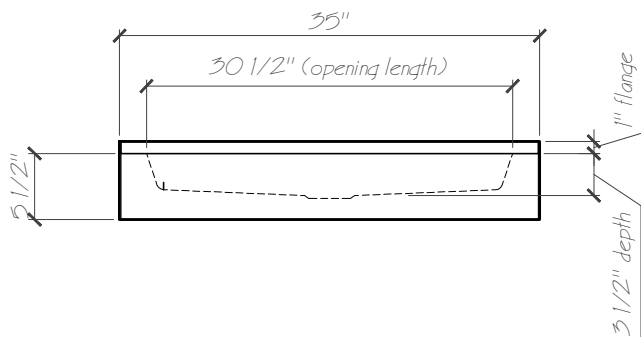
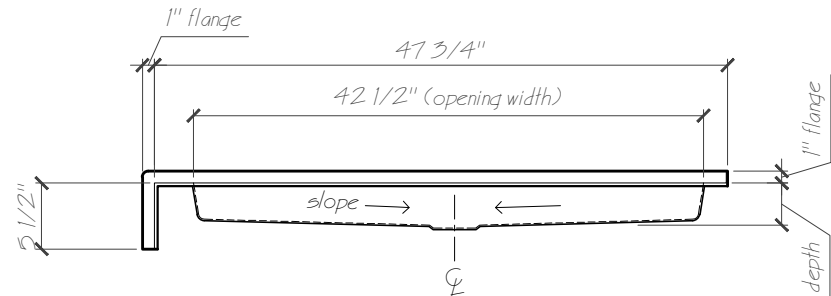


TEXTURED & GROVED
 BASE DESIGN

PLAN VIEW



FRONT VIEW



RIGHT END VIEW



Name: SB3548 (Shower Base 35" X 48")

Date: 15-08-12

Scale: 3/4" = 1"

File: SB3548-3d.dwg

Drawn: AA Jimenez



Phone: 604-854-5757

Fax: 604-852-1850