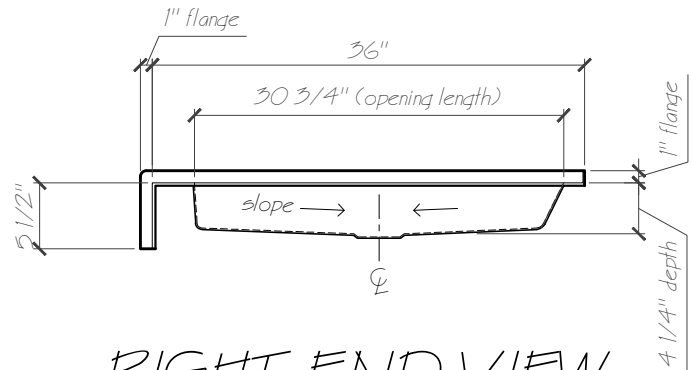
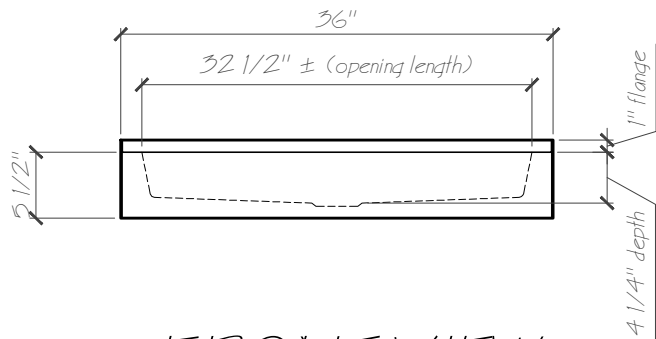


PLAN VIEW



RIGHT END VIEW



FRONT VIEW



Name: SB3636 (Shower Base 36" X 36")

Date: 10-08-12

Scale: 3/4"=1"

File: SB3636-3d.dwg

Drawn: AA Jimenez



Phone: 604-854-5757

Fax: 604-852-1850