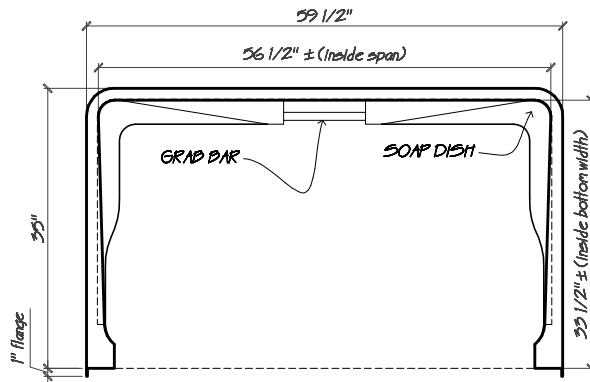
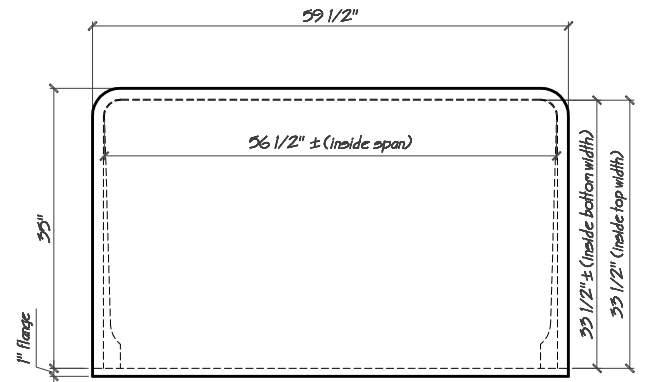


BOTTOM STALL

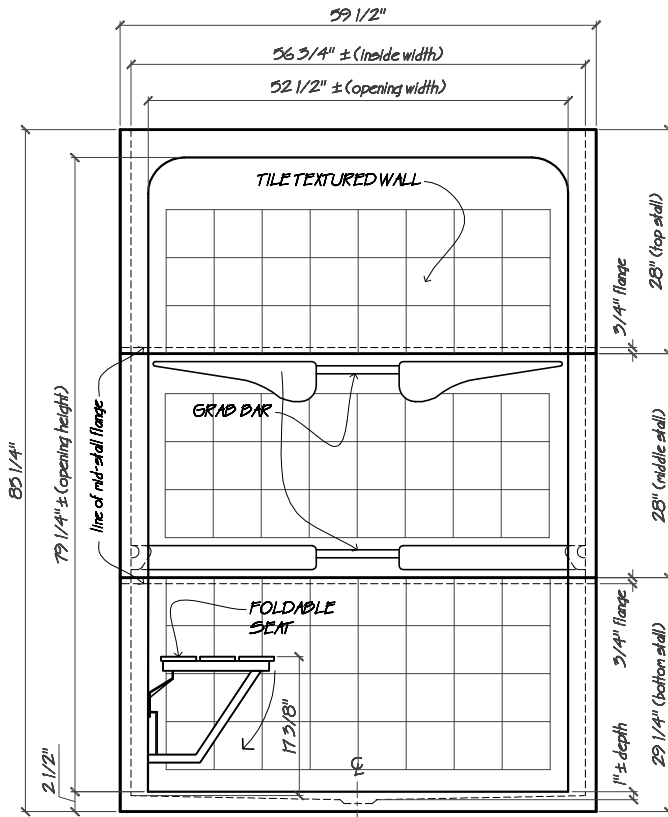


MIDDLE STALL



TOP STALL

PLAN VIEW



FRONT VIEW



Name: HandicapLOW

Date: 14-09-12

Scale: 1/2" = 1'

File: HandicapLOW-3d.dwg Drawn: AA Jimenez



Phone: 604-854-5757

Fax: 604-852-1850