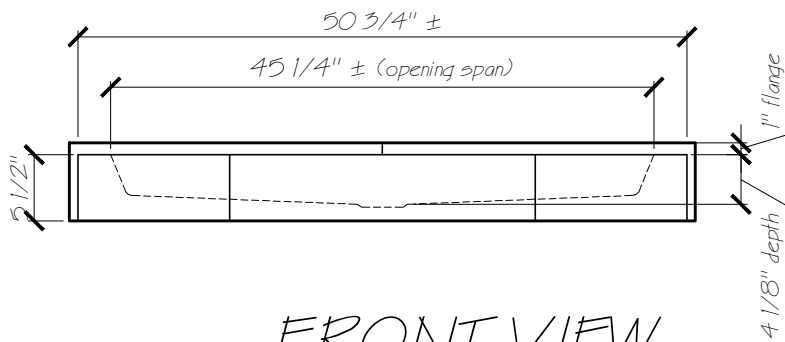
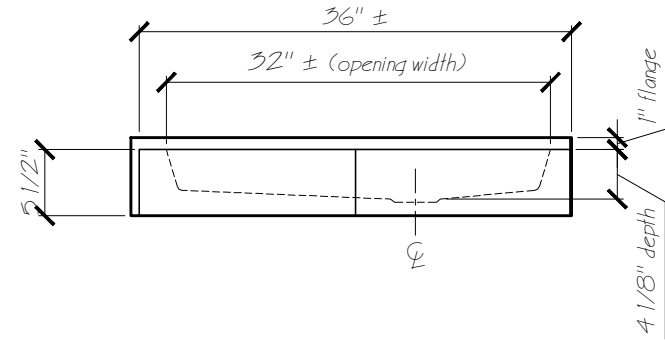


PLAN VIEW

TEXTURED & GROVED
BASE DESIGN



FRONT VIEW



RIGHT END VIEW



Name: NA36 (Corner Shower Base)

Date: 15-08-12

Scale: 3/4" = 1"

File: NA36-3d.dwg

Drawn: AAJ



Phone: 604-854-5757

Fax: 604-852-1850