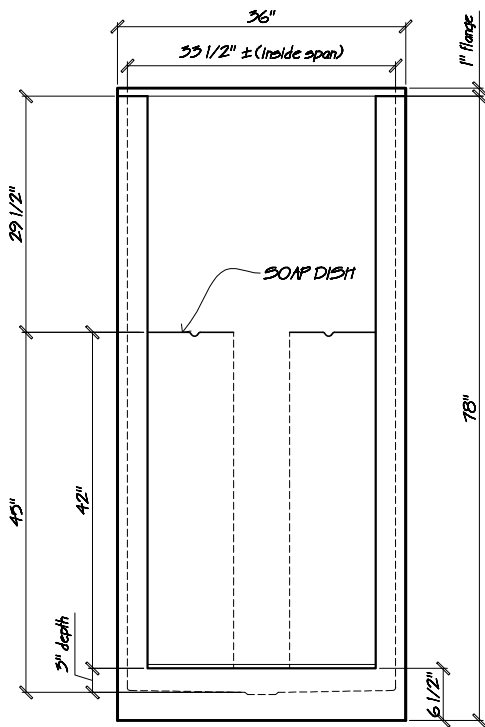
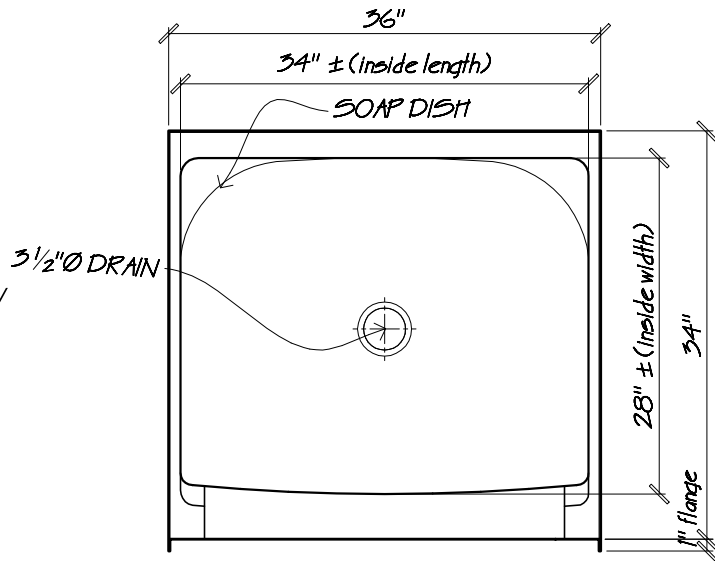


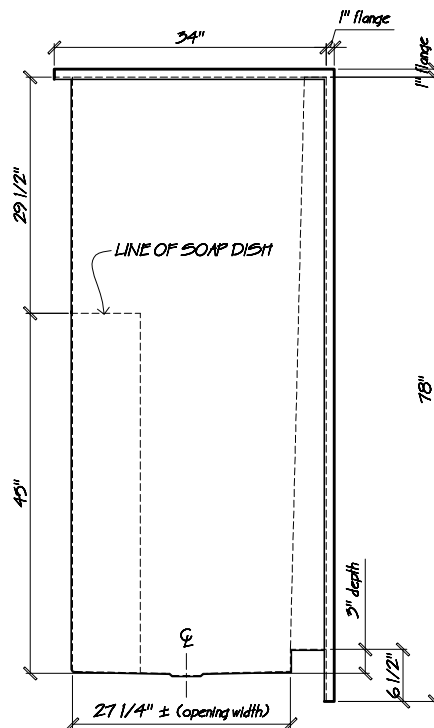
PLAN VIEW

scale: $\frac{3}{4}'' = 1''$



FRONT VIEW

scale: $\frac{1}{2}'' = 1''$



LEFT END VIEW

scale: $\frac{1}{2}'' = 1''$



Name: 55365

Date: 10-09-12

File: 55365-3d

Scale: as shown

Drawn: AAJ



Phone: 604-854-5757

Fax: 604-852-1850