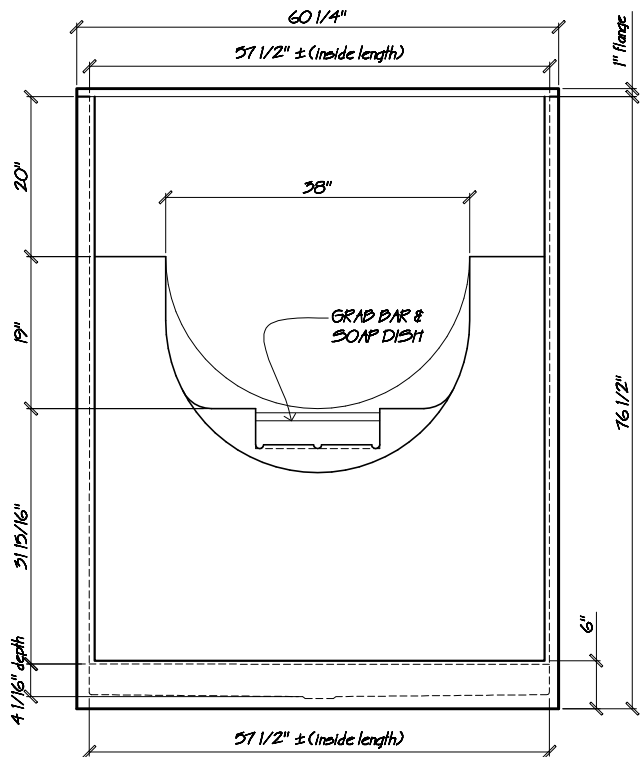


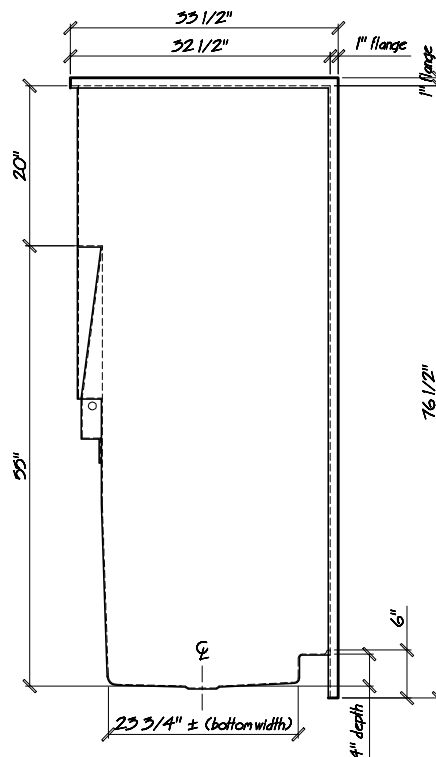
PLAN VIEW

scale : 3/4" = 1"



FRONT VIEW

scale : 1/2" = 1"



LEFT END VIEW

scale : 1/2" = 1"



Name: SS6034CS

Date: 29-08-12

Scale: as shown

File: SS6034CS-3d

Drawn: AAJ



Phone: 604-854-5757

Fax: 604-852-1850