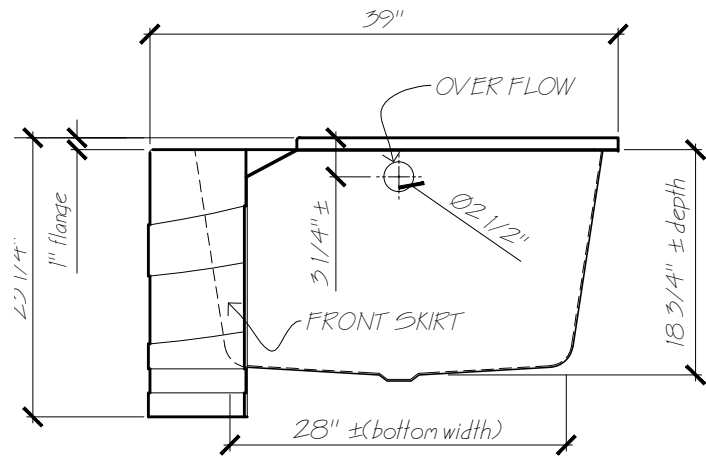
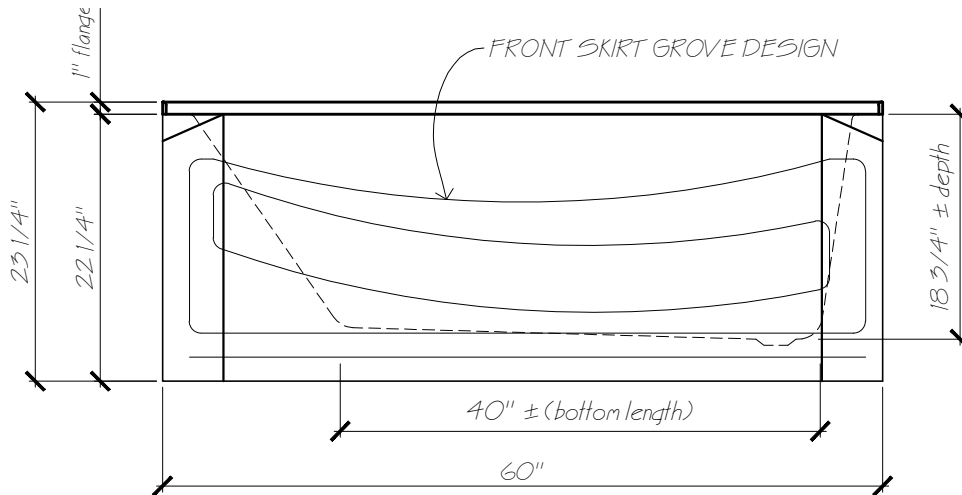


PLAN VIEW



END VIEW



FRONT VIEW



Name: ABBY R/H

Date: 04-30-12 Scale: 3/4" = 1'

File: AbbyRH-3d.dwg Drawn: AAJ



Phone: 604-854-5757

Fax: 604-852-1850