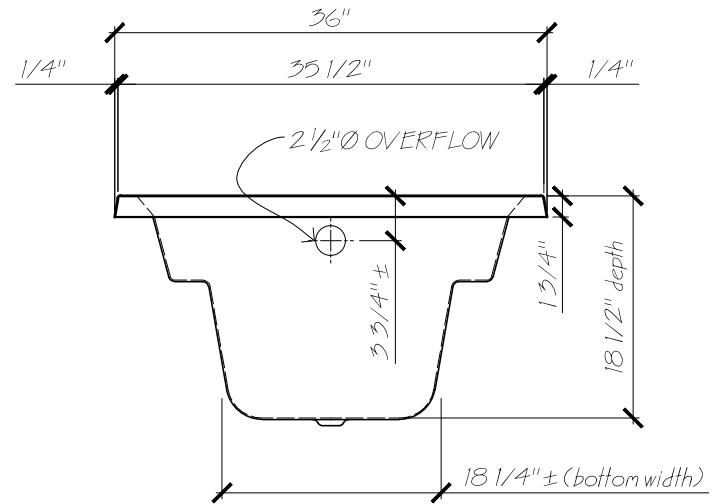
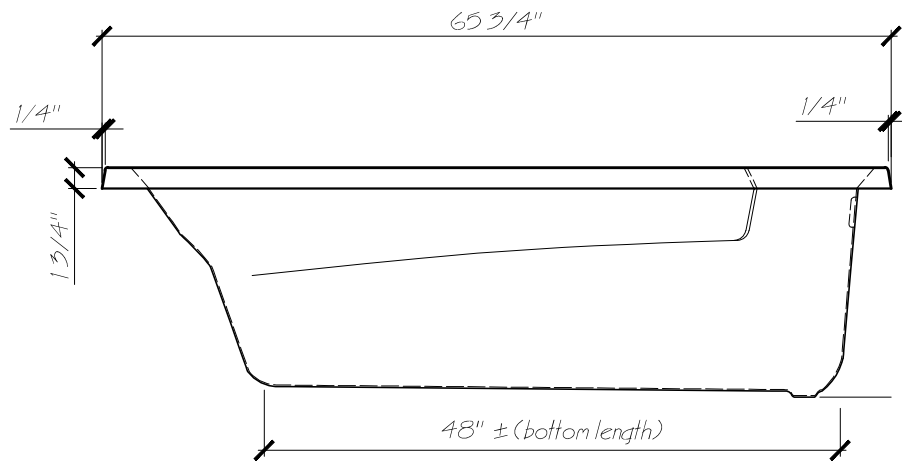


PLAN VIEW



END VIEW



FRONT VIEW



Name: BELCARRA

Date: 05-02-12

Scale: 3/4" = 1"

File: Descarra-3d.dwg

Drawn: AAJ



Phone: 604-854-575

Fax: 604-852-1850