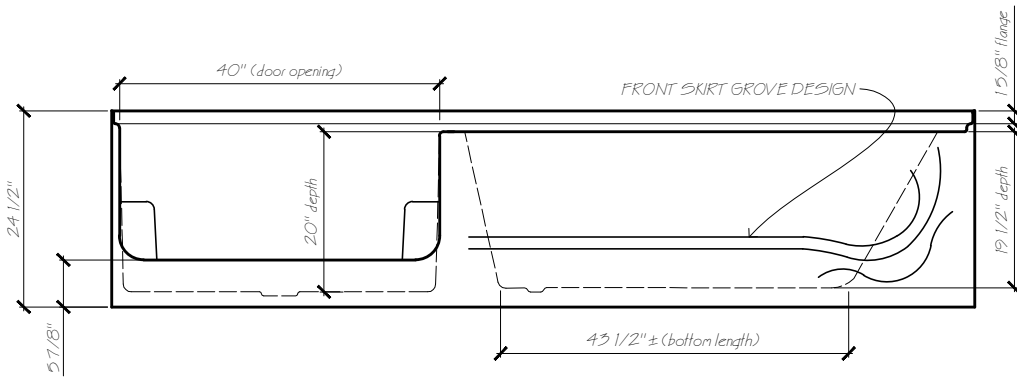
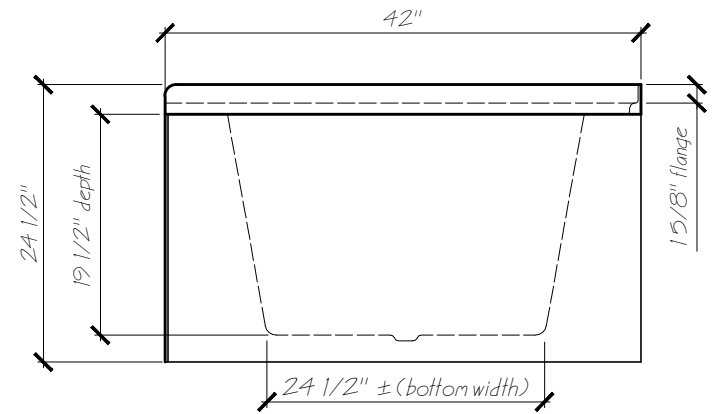


PLAN VIEW



FRONT VIEW



END VIEW



WATER CAPACITY
OPERATIONAL
LEVEL

LITRES: 227 L
GALLONS: 58 G

Name: BLACKCOMB L/H

Date: 05-03-12 Scale: 1/2" = 1'

File: BlackcombLH-3d.dwg Drawn: AAJ



Phone: 604-854-5757

Fax: 604-852-1850