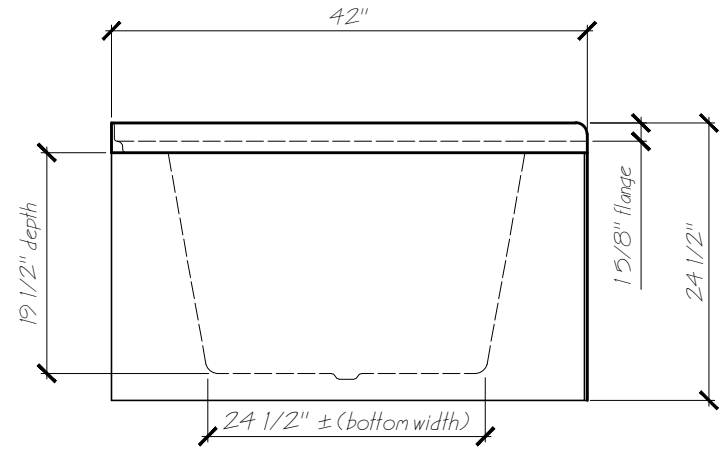
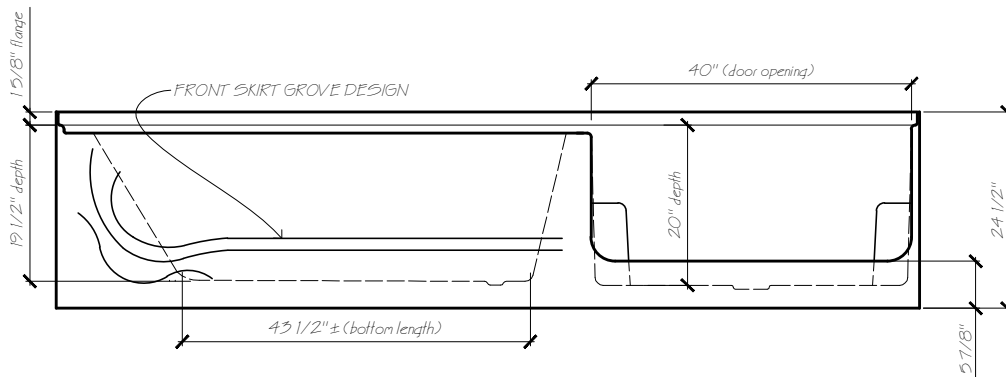


PLAN VIEW



END VIEW



FRONT VIEW



WATER CAPACITY
OPERATIONAL
LEVEL

LITRES: 227 L
GALLONS: 58 G

Name: BLACKCOMB R/H	
Date: 05-03-12	Scale: 1/2" = 1'
File: BlackcombR/H.dwg	Drawn: AAJ



Phone: 604-854-5757
Fax: 604-852-1850