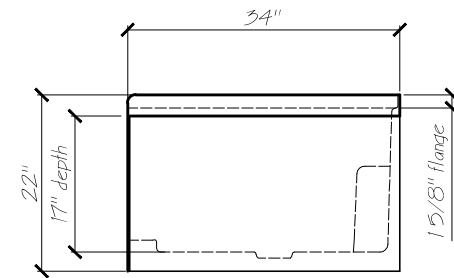
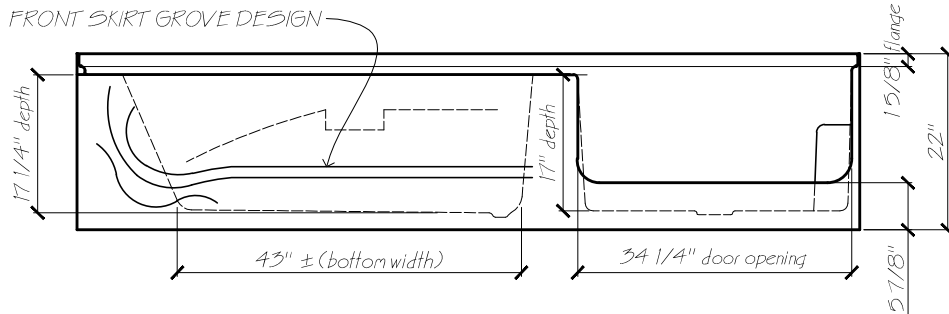


PLAN VIEW



END VIEW



FRONT VIEW



Door Opening: 34 1/4"

WATER CAPACITY
OPERATIONAL
LEVEL

LITRES: 227 L

GALLONS: 58 G

Name: Cinema R/H

Date: 30-05-12

File: CinemaRH.dwg

Scale: 1/2" = 1'

Drawn: AAJ



Phone: 604-854-5757

Fax: 604-852-1850