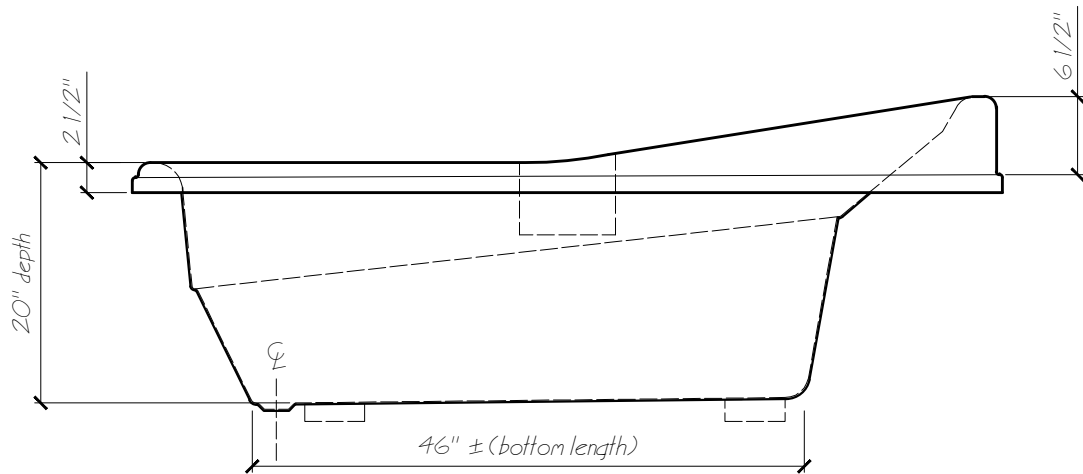
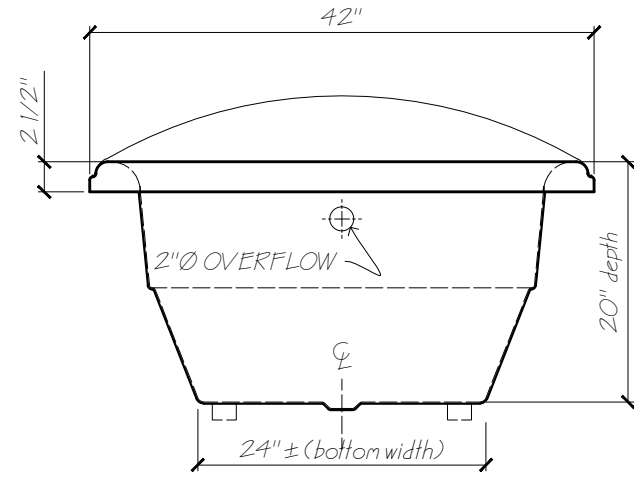


PLAN VIEW



FRONT VIEW



END VIEW



Name: CRANBROOK

Date: 07-06-12

Scale: 3/4" = 1'

File: Cranbrook-3d.dwg

Drawn: AAJ



Phone: 604-854-5757

Fax: 604-852-1850