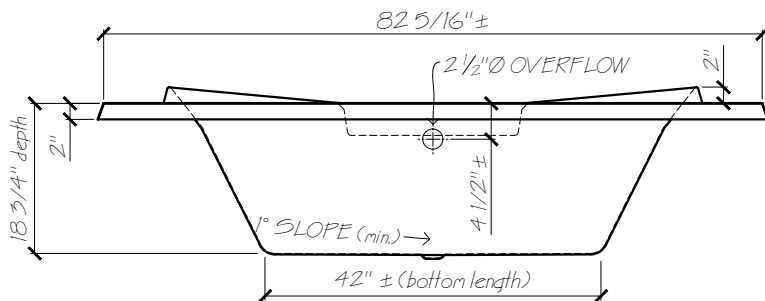
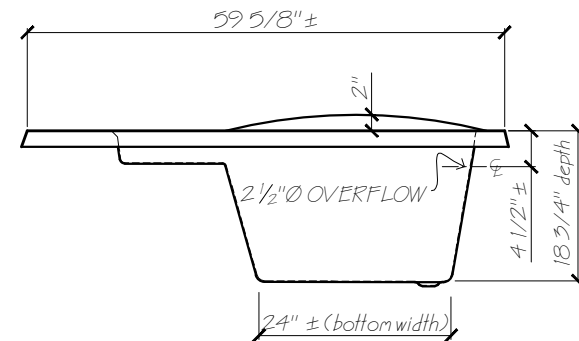


PLAN VIEW



FRONT VIEW



END VIEW



WATER CAPACITY
OPERATIONAL
LEVEL

LITRES: 150 L
GALLONS: 40 G

Name: DELTA 1

Date: 11-06-12

File: Deltal-dwg

Scale: 1/2" = 1'

Drawn: AAJ



Phone: 604-854-5757

Fax: 604-852-1850