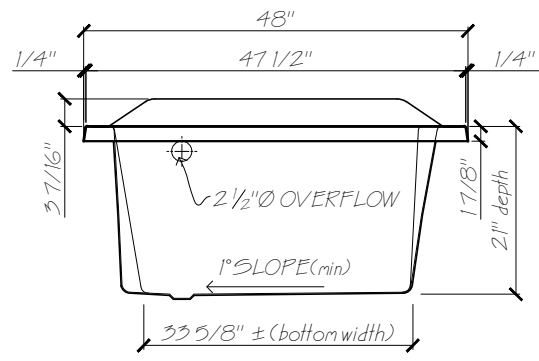
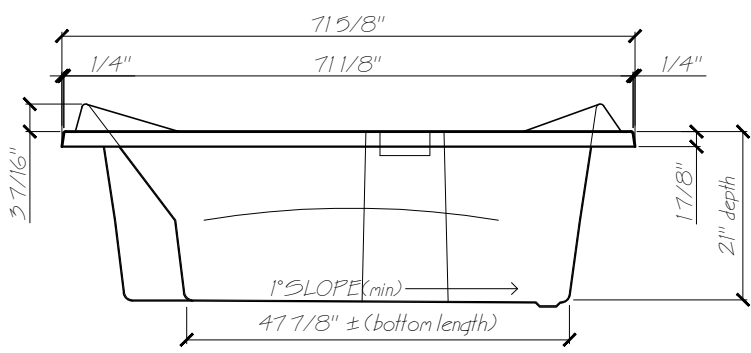


PLAN VIEW



END VIEW



FRONT VIEW



WATER CAPACITY  
OPERATIONAL  
LEVEL

LITRES: 299 L  
GALLONS: 79 G

Name: HARRISON	
Date: 28-06-12	Scale: 1/2" = 1"
File: Harrison-3d.dwg	Drawn: AAJ



Phone: 604-854-5757  
Fax: 604-852-1850