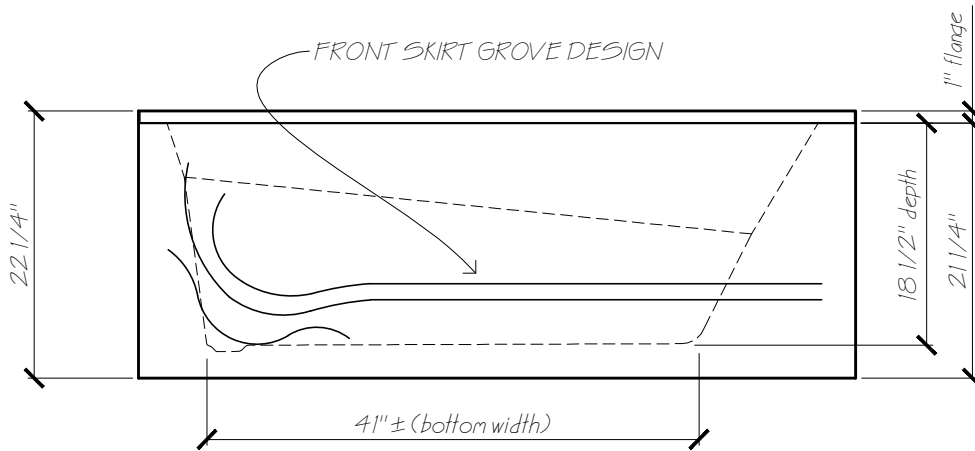
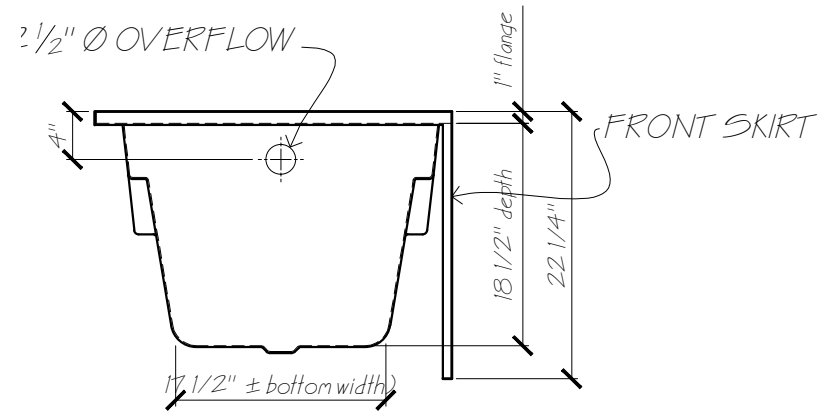


PLAN VIEW



FRONT VIEW



SIDE VIEW



Name: JASPER L/H

Date: 05-06-12

Scale: 3/4" = 1'

File: JasperLH-3d.dwg

Drawn: AAJ



**GLASS  
WORLD**

Phone: 604-854-5757

Fax: 604-852-1850