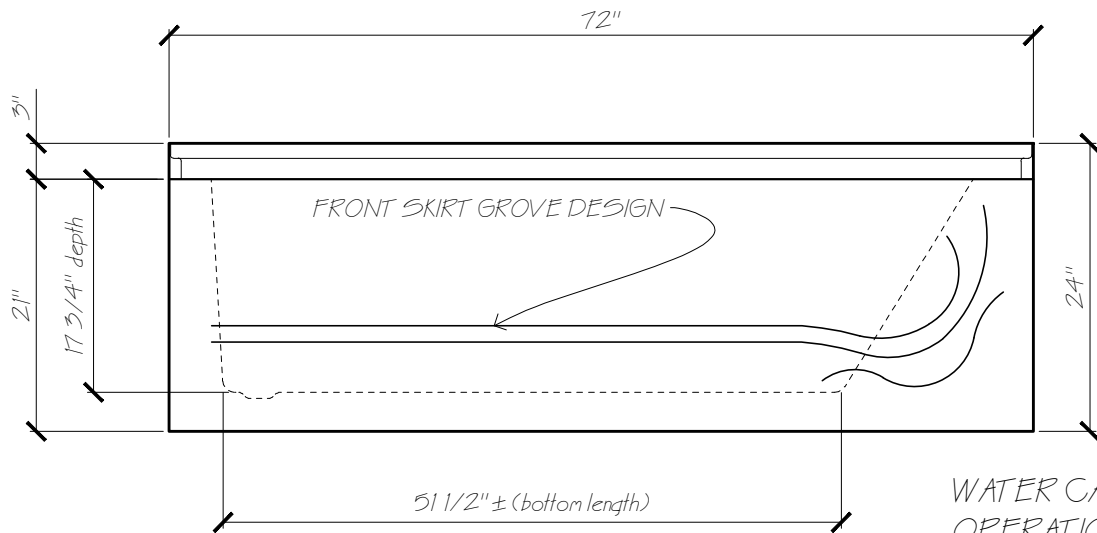
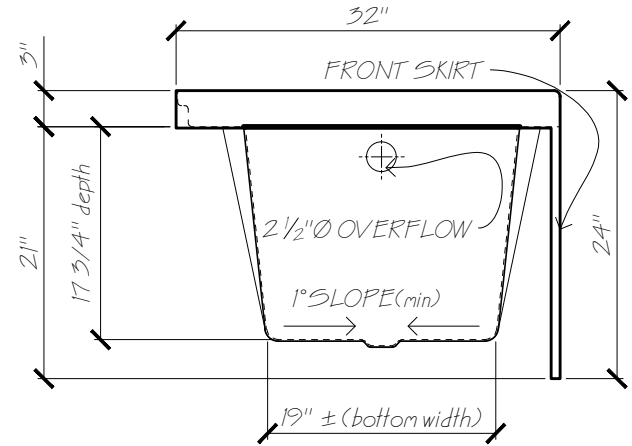


PLAN VIEW



FRONT VIEW



END VIEW



WATER CAPACITY
OPERATIONAL
LEVEL

LITRES: 125 L
GALLONS: 33 G

Name: MERRITT L/H

Date: 04-04-12

File: MerrittLH

Scale: 3/4" = 1"

Drawn: AAJimenez



Phone: 604-854-5757

Fax: 604-852-1850