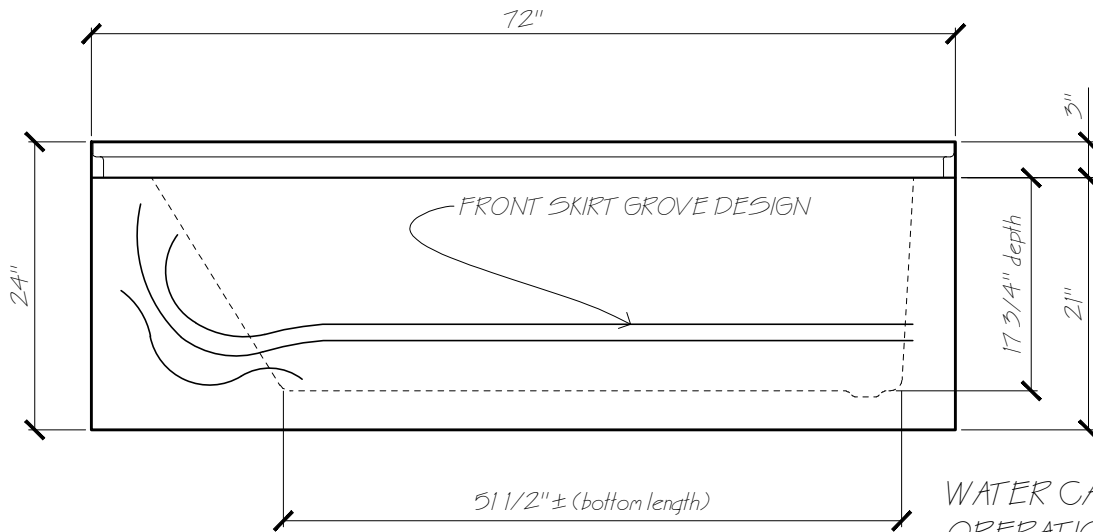
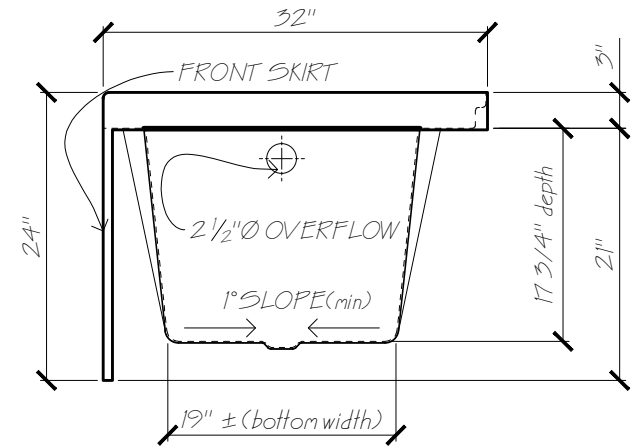


PLAN VIEW



FRONT VIEW



END VIEW



WATER CAPACITY
OPERATIONAL
LEVEL

LITRES: 125 L
GALLONS: 33 G

Name: MERRITT R/H	
Date: 04-04-18	Scale: 3/4" = 1"
File: MerrittRH	Drawn: AAJimenez



Phone: 604-854-5757
Fax: 604-852-1850