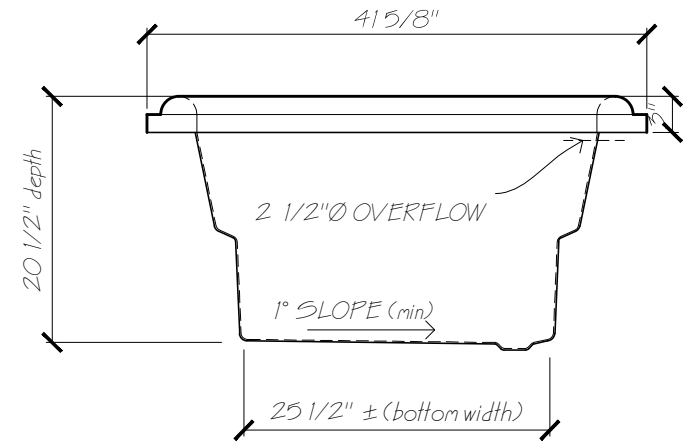
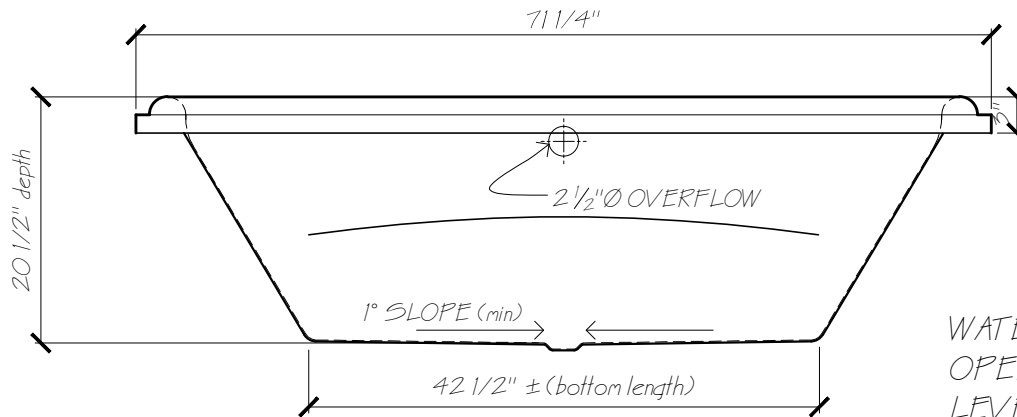


PLAN VIEW



END VIEW



FRONT VIEW



WATER CAPACITY  
OPERATIONAL  
LEVEL

LITRES: 227 L  
GALLONS: 60 G

Name: PACIFIC 1 Oval Bath Tub

Date: 21-06-12

Scale: 3/4" = 1'

File: Pacific1-3d.dwg

Drawn: AAJ



Phone: 604-854-5757

Fax: 604-852-1850