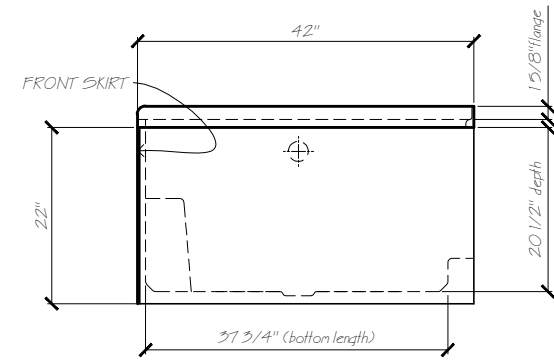
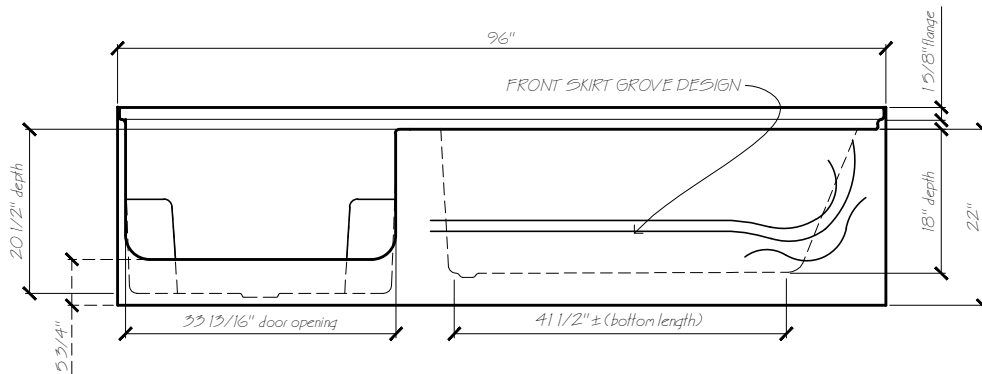


PLAN VIEW



SIDE VIEW



FRONT VIEW

Door Opening: 33 3/4"

WATER CAPACITY
OPERATIONAL LEVEL

LITRES: 227 L
GALLONS: 58 G

Name: PALISER L/H

Date: 04-07-12

File: PaliserLH-3d.dwg

Scale: 1/2" = 1'

Drawn: AAJ



Phone: 604-854-5757

Fax: 604-852-1850