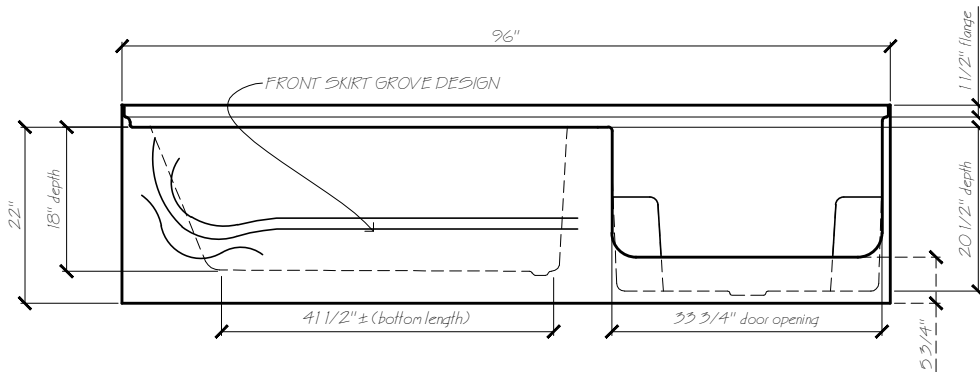
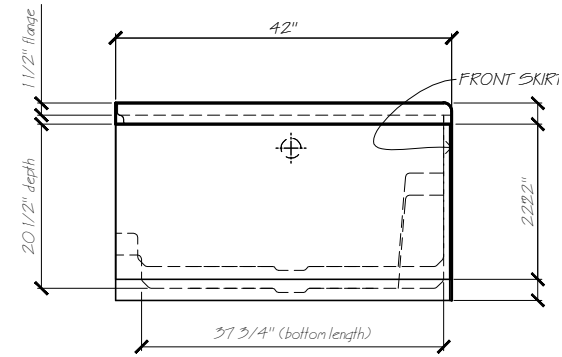


PLAN VIEW



FRONT VIEW



SIDE VIEW



Door Opening: 33 3/4"

WATER CAPACITY  
OPERATIONAL LEVEL

LITRES: 227 L  
GALLONS: 58 G

Name: PALISER R/H

Date: 04-07-12

File: PaliserRH-3d.dwg

Scale: 1/2" = 1'

Drawn: AAJ



Phone: 604-854-5757

Fax: 604-852-1850