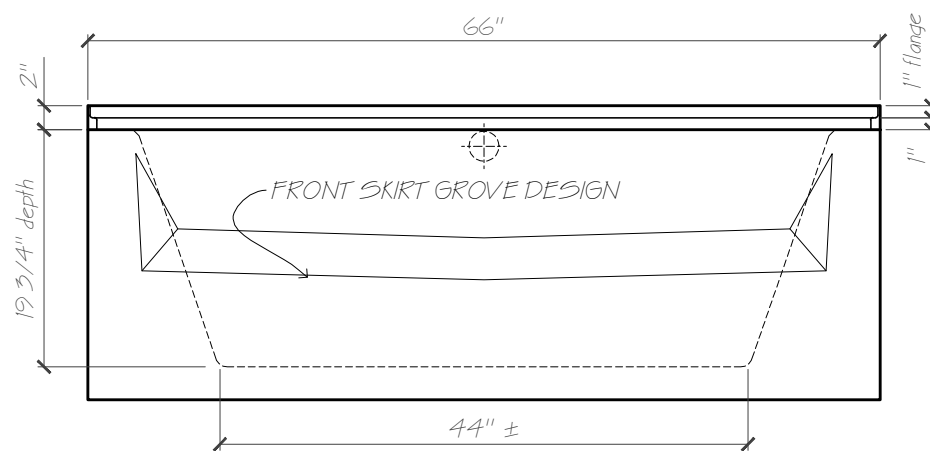
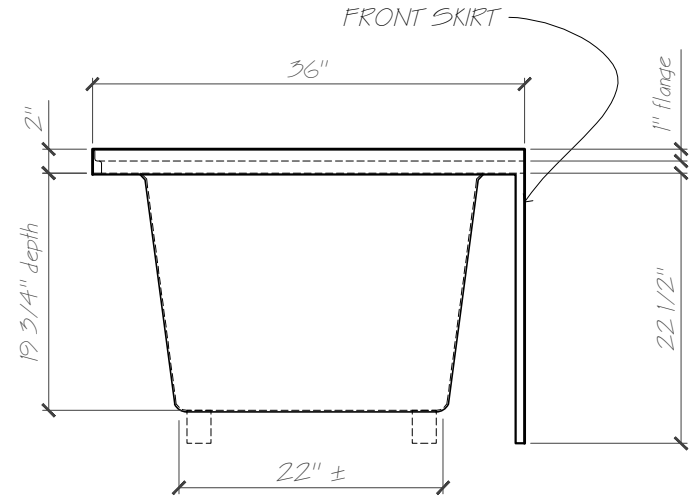


PLAN VIEW



FRONT VIEW



END VIEW



Name: SPARTAN2

Date: 16-07-12

Scale: 3/4" = 1"

File: Spartan2-3d.dwg

Drawn: AA Jimenez



Phone: 604-854-5757
Fax: 604-852-1850