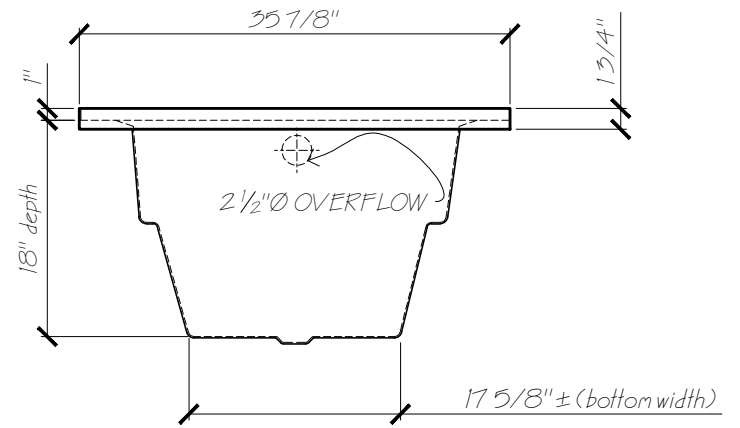
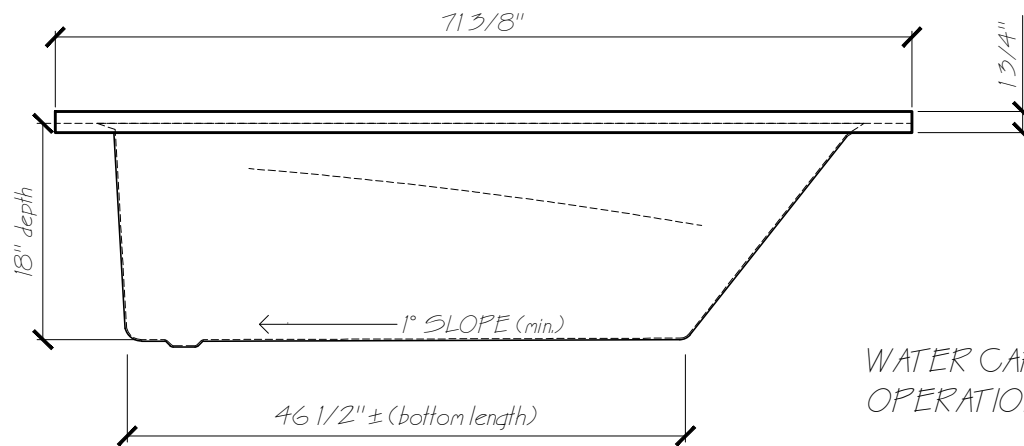


PLAN VIEW



END VIEW



FRONT VIEW



WATER CAPACITY
OPERATIONAL LEVEL

LITRES: 129 L
GALLONS: 34 G

Name: TERRACE

Date: 17-07-12

File: Terrace-3d.dwg

Scale: 3/4" = 1"

Drawn: AAJ



Phone: 604-854-5757
Fax: 604-852-1850