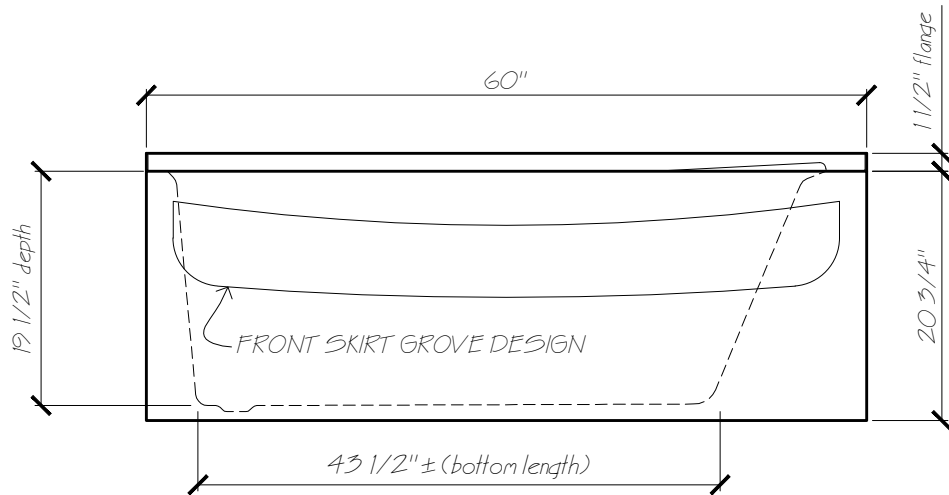
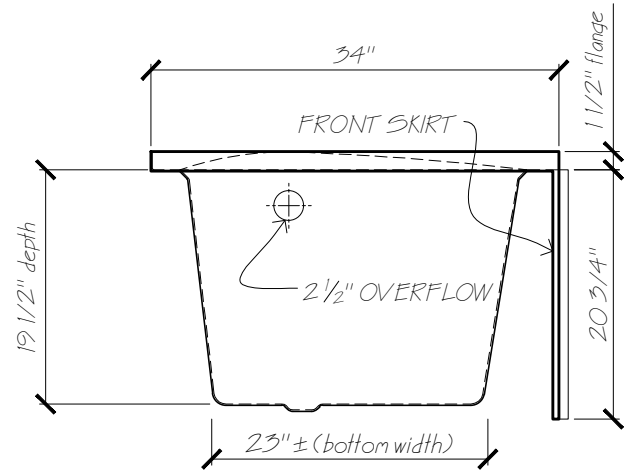


PLAN VIEW



FRONT VIEW



END VIEW



WATER CAPACITY
OPERATIONAL
LEVEL

LITRES: 144 L

GALLONS: 38 G

Name: TOFINO L/H

Date: 12-07-12

File: TofinoLT-3d.dwg

Scale: 3/4" = 1'

Drawn: AAJ



Phone: 604-854-5757

Fax: 604-852-1850