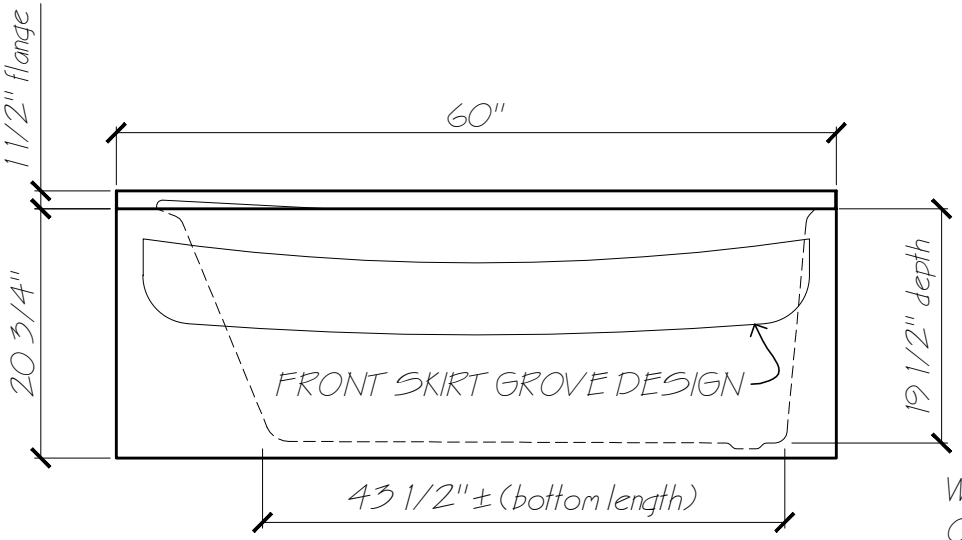
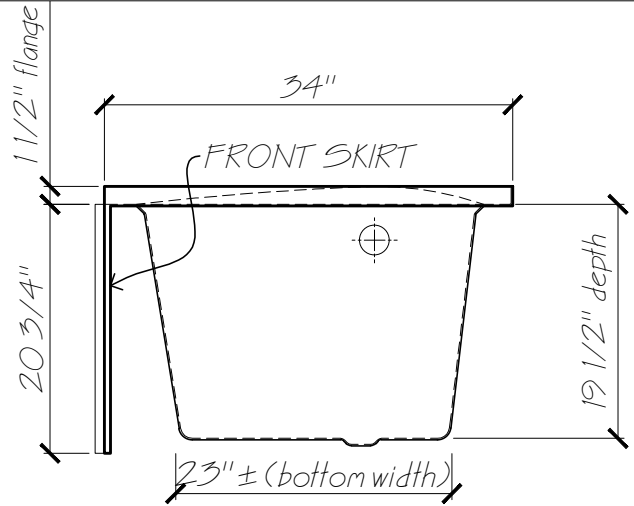


PLAN VIEW



FRONT VIEW



END VIEW



WATER CAPACITY  
OPERATIONAL  
LEVEL

LITRES: 144 L  
GALLONS: 38 G

Name: TOFINO R/H	
Date: 13-07-12	Scale: 3/4" = 1'
File: TofinoRH-3d.dwg	Drawn: AAJ
