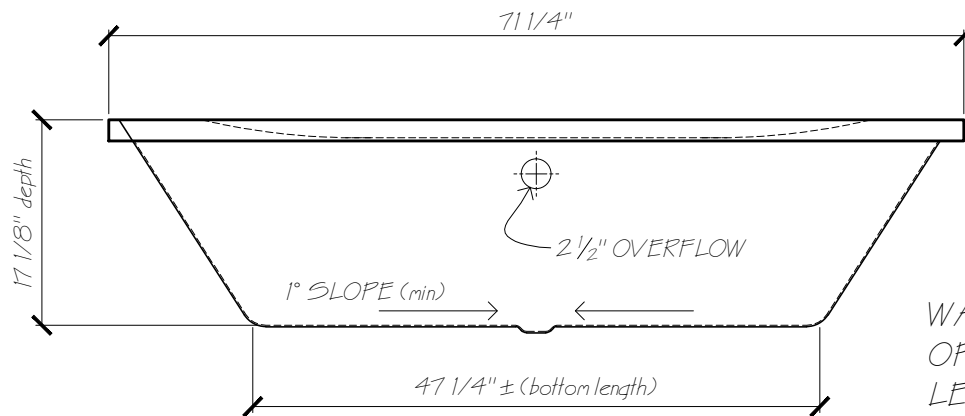
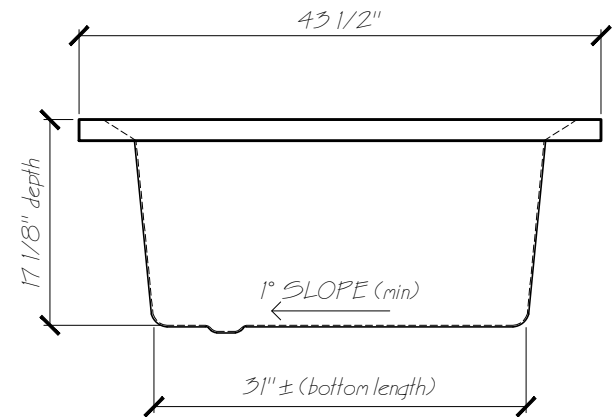


PLAN VIEW



FRONT VIEW



END VIEW



WATER CAPACITY  
OPERATIONAL  
LEVEL

LITRES: 174 L  
GALLONS: 46 G

Name: VISCOUNT

Date: 23-07-12

File: Visount-3d.dwg

Scale: 3/4" = 1'

Drawn: AAJ



Phone: 604-854-5757  
Fax: 604-852-1850