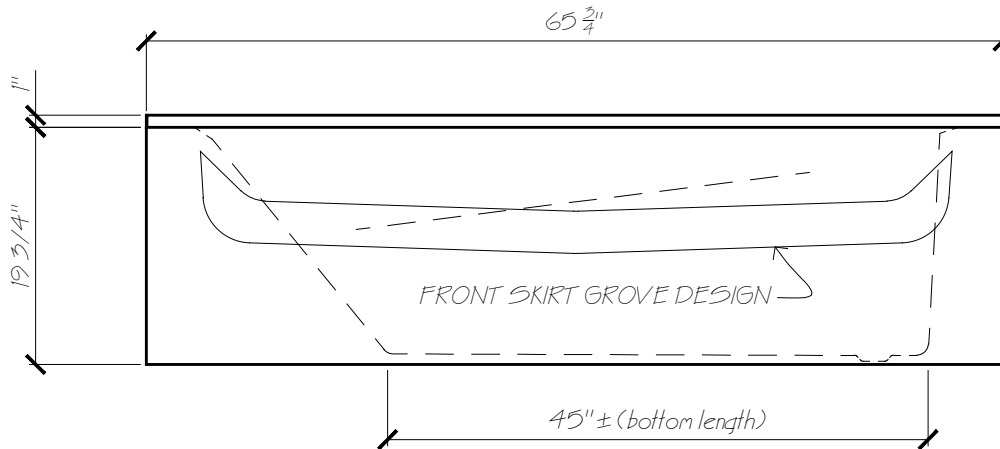
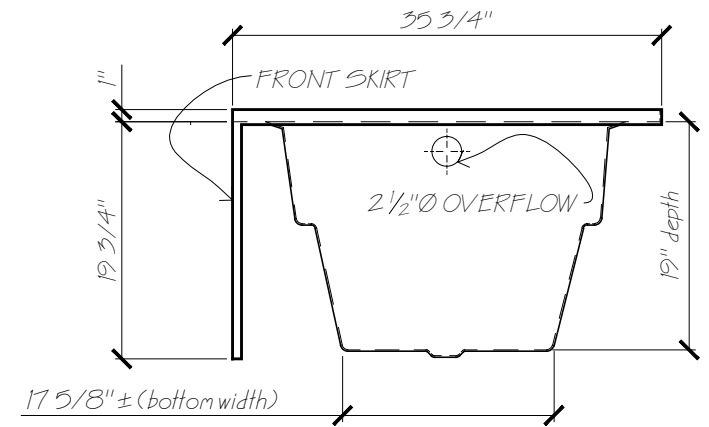


PLAN VIEW



FRONT VIEW



END VIEW



WATER CAPACITY
OPERATIONAL
LEVEL

LITRES: 129 L
GALLONS: 34 G

Name: WHISTLER R/H

Date: 17-07-12

Scale: 3/4" = 1"

File: WhistlerRH-3d.dwg

Drawn: AAJ



Phone: 604-854-5757
Fax: 604-852-1850