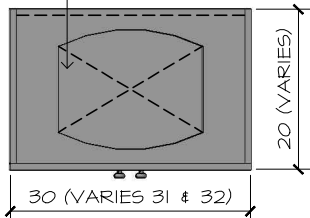


FRONT VIEW

SCALE 1" : 1/2"

NOTE: DOOR WIDTH VARIES ACCORDING TO OVERALL VANITY DESIGNATED WIDTH OF 31" AND 32" SERIES.

VARIABLE SIZE WASH BASIN OPENING SLOT

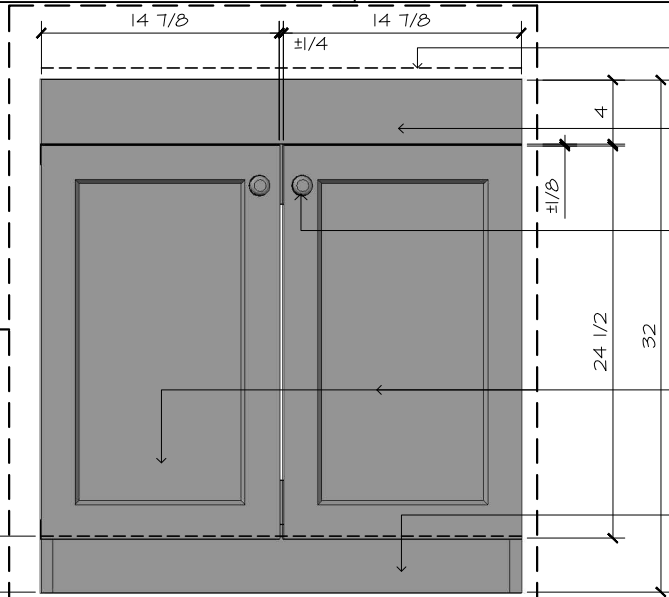


PLAN VIEW

SCALE 1" : 1/2"

DESCRIPTIONS:

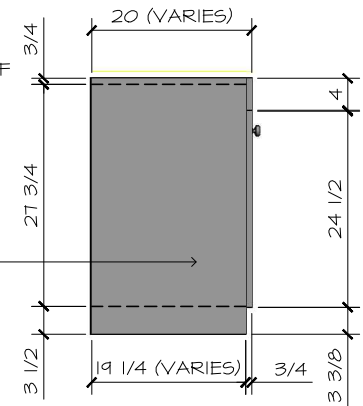
- MELAMINE FINISHED FURNITURE GRADE 3/4" THICK PARTICLE BOARD MAIN BODY FRAMES.
- THERMOFOIL FINISHED TOP BOARD & DOOR PANEL OVER 3/4" THICK (MDF) MEDIUM DENSITY FIBERBOARD
- POLISHED BRASS ROUND TYPE DOOR PULL KNOB.
- FLUSH TYPE CABINET HINGE.



BLOWN UP DETAIL

SCALE 1" : 1"

- LINE OF SELECTED PRE-FABRICATED VANITY TOP
- THERMOFOIL FINISHED TOP BOARD OVER MDF
- POLISHED BRASS ROUND TYPE KNOB
- MELAMINE FINISHED FURNITURE GRADE PARTICLE BOARD SIDING PANEL
- THERMOFOIL FINISHED DOOR & DRAWER PANEL OVER MDF
- MELAMINE FINISHED FURNITURE GRADE PARTICLE BOARD



SIDE VIEW

SCALE 1" : 1/2"

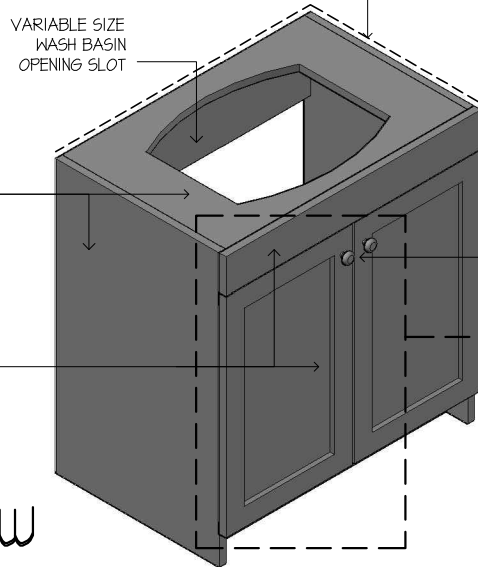
3 1/2" BASE BOARD

MELAMINE FINISHED FURNITURE GRADE PARTICLE BOARD VANITY TOP BACKING AND SIDING PANEL

VARIABLE SIZE WASH BASIN OPENING SLOT

THERMOFOIL FINISHED TOP BOARD, DOOR AND FRONT DRAWER PANEL OVER MDF

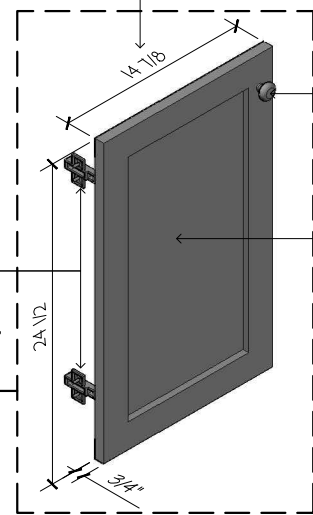
3D VIEW



LINE OF SELECTED PRE-FABRICATED VANITY TOP

FLUSH TYPE CABINET HINGE
POLISHED BRASS ROUND TYPE KNOB

DOOR DIMENSION VARIES ACCORDING TO OVERALL VANITY DESIGNATED WIDTH OF 31" AND 32" SERIES.



DOOR DETAIL

SCALE 1" : 1"

Width	91.44	cm	Height	76.2	cm	No. of doors : 2	piece/s	Drawn by : AA JIMENEZ	Drawn Date : 27-05-13	Stock No. -
	30	in.		32	in.					