



GENERAL GLASS INDUSTRIES, INC.

Email: www.glassworld.ca

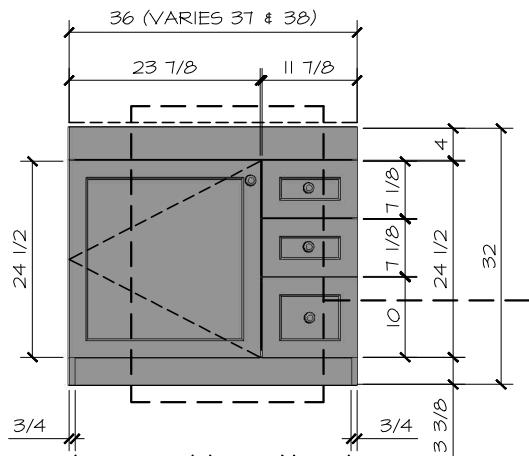
Website: www.glassworld.ca/

Product Name : WASH BASIN VANITY

Drawing Title : 36 INCH VANITY

Sheet # | : |

Drawing No. 36

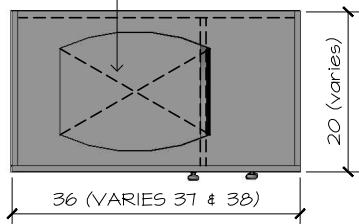


FRONT VIEW

SCALE 1 : 1/2"

NOTE: DOOR WIDTH VARIES ACCORDING TO OVERALL VANITY DESIGNATED WIDTH OF 37" AND 38" SERIES.

VARIABLE SIZE WASH BASIN OPENING SLOT

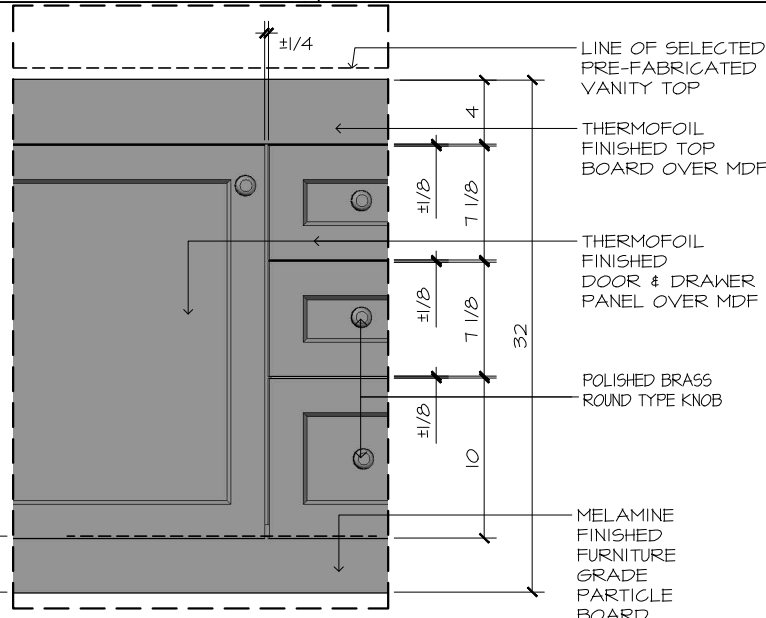


PLAN VIEW

SCALE 1 : 1/2"

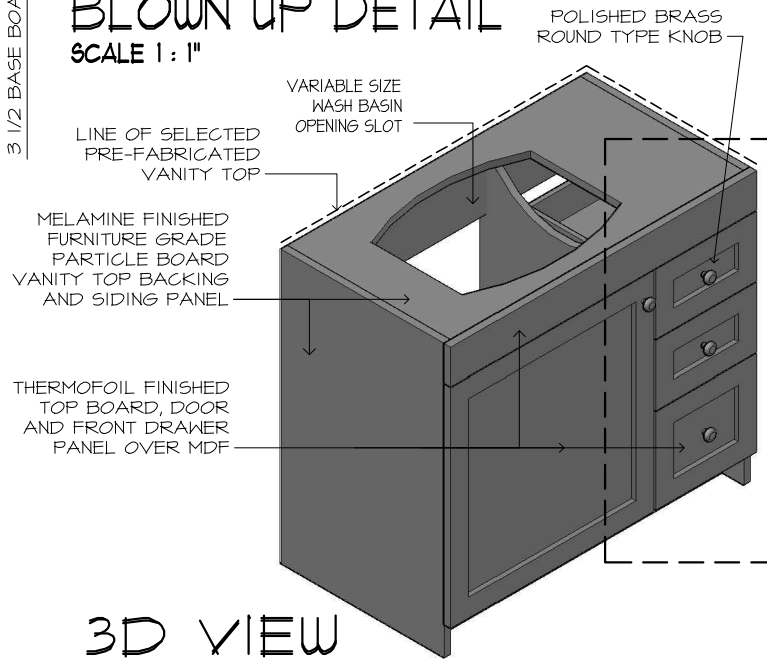
DESCRIPTIONS:

- MELAMINE FINISHED FURNITURE GRADE 3/4" THICK PARTICLE BOARD MAIN BODY FRAMES.
- THERMOFOIL FINISHED TOP BOARD, FRONT DRAWER & DOOR PANEL OVER 3/4" THICK (MDF) MEDIUM DENSITY FIBERBOARD
- WOOD VENEER ADHERED TO PLYWOOD DRAWER BOX FRAME.
- POLISHED BRASS ROUND TYPE DOOR AND DRAWER PULL KNOB.
- SIDE MOUNT STEEL DRAWER TRACK.
- FLUSH TYPE CABINET HINGE.

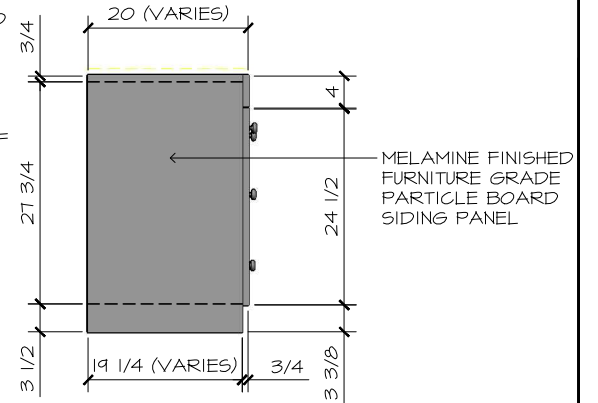


BLOWN UP DETAIL

SCALE 1 : 1"

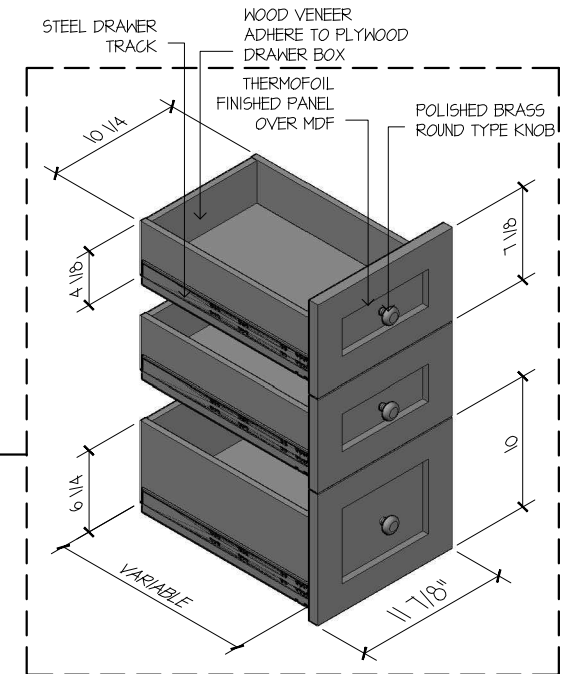


3D VIEW



SIDE VIEW

SCALE 1 : 1/2"



DRAWER DETAIL

SCALE 1 : 1/2"

Width	91.44 cm	Height	81.28 cm	No. of door : 1 piece/s	Drawn by : AA JIMENEZ	Drawn Date : 27-05-13	Stock No. -
	36 in.		32 in.	No. of drawer : 3 piece/s	Scale : 1:1/2"	Revision # : - Date : -	