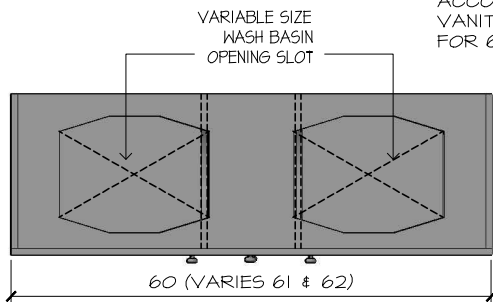


FRONT VIEW

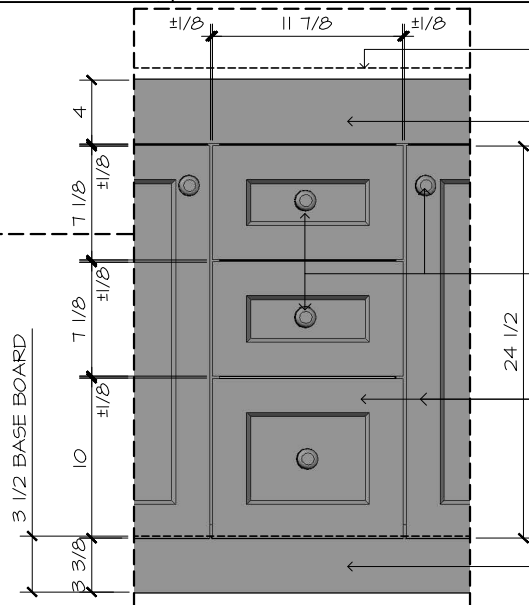
SCALE 1 : 1/2"

DOOR WIDTH VARIES ACCORDING TO OVERALL VANITY DESIGNATED WIDTH FOR 61" AND 62" SERIES.



PLAN VIEW

SCALE 1 : 1/2"

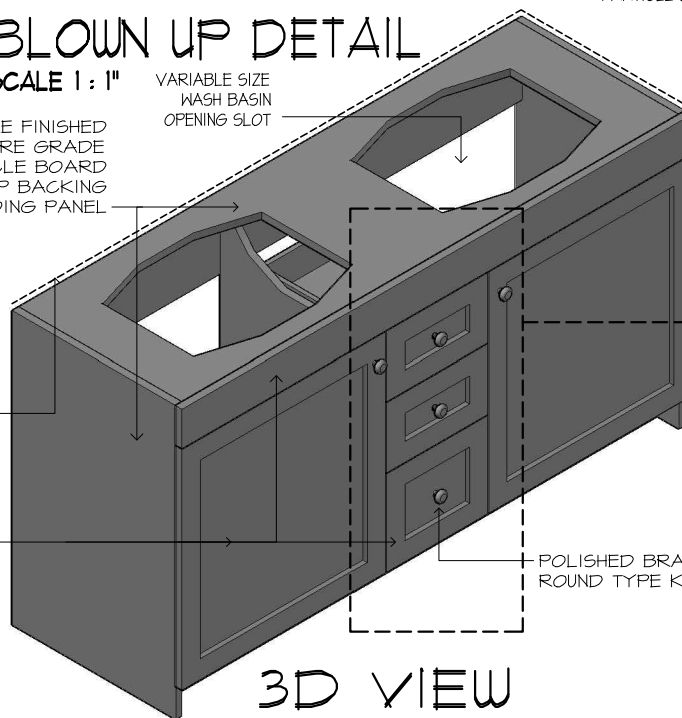


BLOWN UP DETAIL

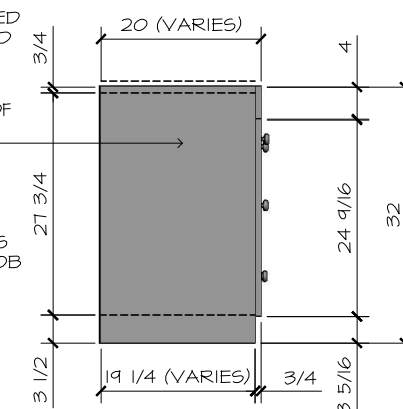
SCALE 1 : 1"

MELAMINE FINISHED FURNITURE GRADE PARTICLE BOARD VANITY TOP BACKING AND SIDING PANEL

VARIABLE SIZE WASH BASIN OPENING SLOT

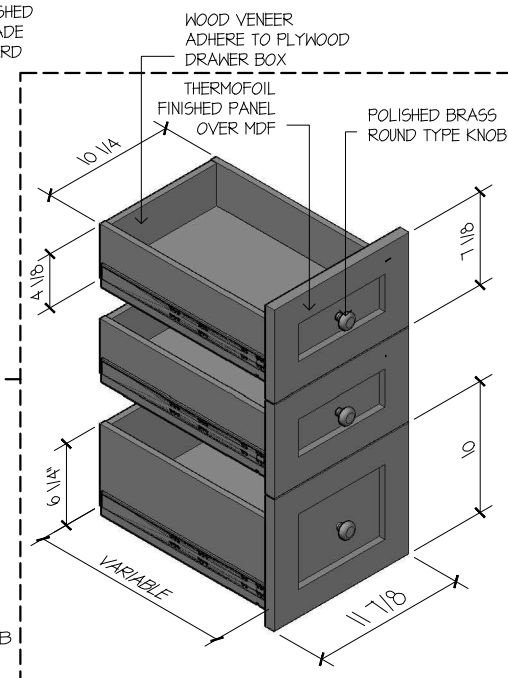


3D VIEW



SIDE VIEW

SCALE 1 : 1/2"



DRAWER DETAIL

SCALE 1 : 1/2"

DESCRIPTIONS:

- MELAMINE FINISHED FURNITURE GRADE 3/4" THICK PARTICLE BOARD MAIN BODY FRAMES.
- THERMOFOIL FINISHED TOP BOARD, FRONT DRAWER & DOOR PANEL OVER 3/4" THICK (MDF) MEDIUM DENSITY FIBERBOARD
- WOOD VENEER ADHERED TO PLYWOOD DRAWER BOX FRAME.
- POLISHED BRASS ROUND TYPE DOOR AND DRAWER PULL KNOB.
- SIDE MOUNT STEEL DRAWER TRACK.
- FLUSH TYPE CABINET HINGE.

LINE OF SELECTED PRE-FABRICATED VANITY TOP

THERMOFOIL FINISHED TOP BOARD, DOOR AND FRONT DRAWER PANEL OVER MDF

POLISHED BRASS ROUND TYPE KNOB

Width	152.4	cm	Height	81.28	cm	No. of doors :	2	piece/s	Drawn by :	AA JIMENEZ	Drawn Date :	22-05-13	Stock No. -
	60	in.		32	in.	No. of drawers :	3	piece/s	Scale :	1:1/2"	Revision # :	-	