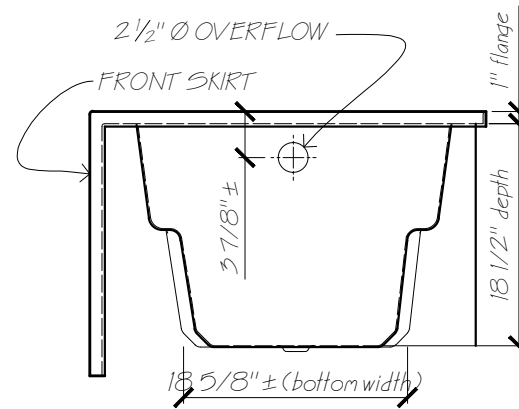
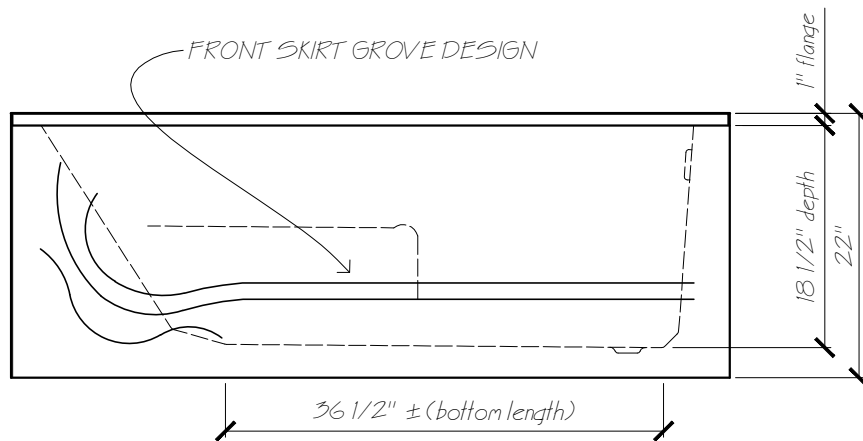


PLAN VIEW



END VIEW



FRONT VIEW



Name: CASCADE R/H

Date: 29-05-12

Scale: 3/4" = 1'

File: CascadeRH-3d.dwg

Drawn: AAJ

WATER CAPACITY  
OPERATIONAL LEVEL

LITRES: 125 l

GALLONS: 33 G



Phone: 604-854-5757

Fax: 604-852-1850