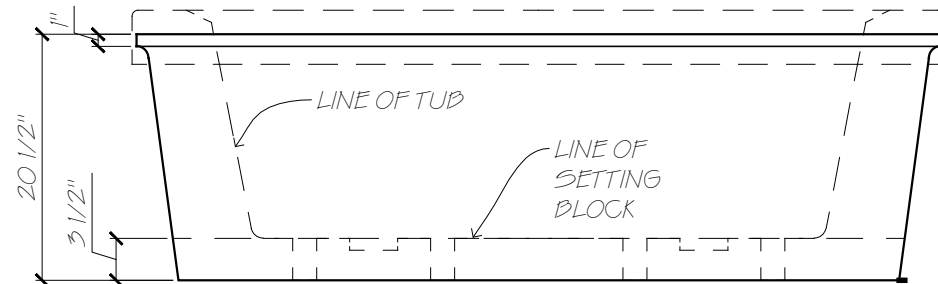
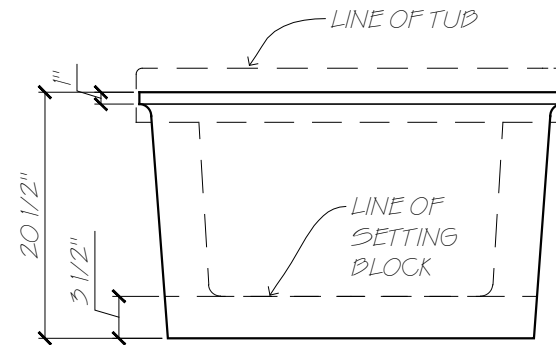


PLAN VIEW



FRONT VIEW



RIGHT END VIEW



Name: KERRISDALE (SKIRT) PART 2

Date: 07-12-14

Scale: 3/4" = 1"

File: Kerrisdale-3d.dwg

Drawn: AAJimenez



Phone: 604-854-5757

Fax: 604-852-1850