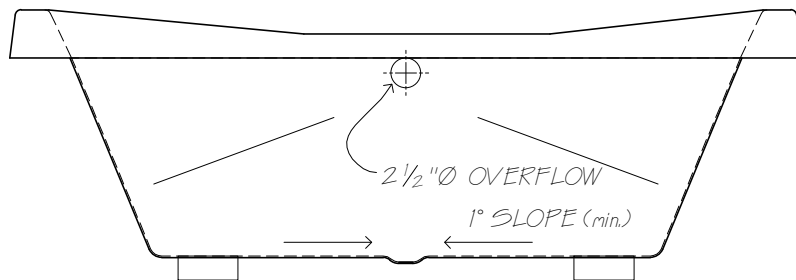
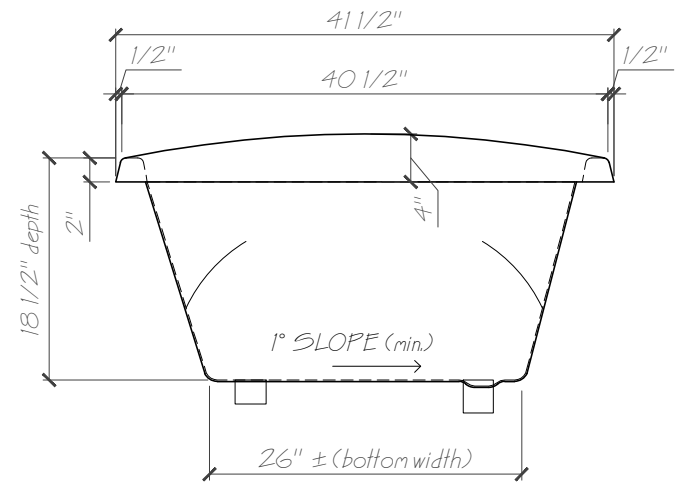


PLAN VIEW



FRONT VIEW



SIDE VIEW



Name: OSOY005 2

Date: 25-07-12

Scale: 3/4" = 1'

File: Osoyoos2-3d.dwg

Drawn: AA Jimenez



Phone: 604-854-5757

Fax: 604-852-1850