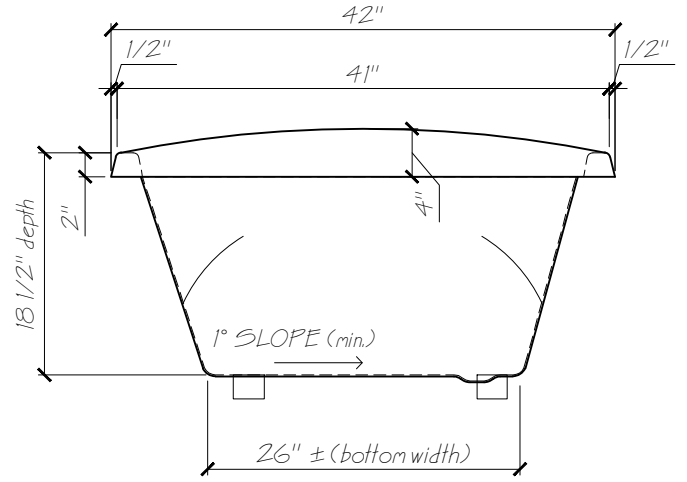
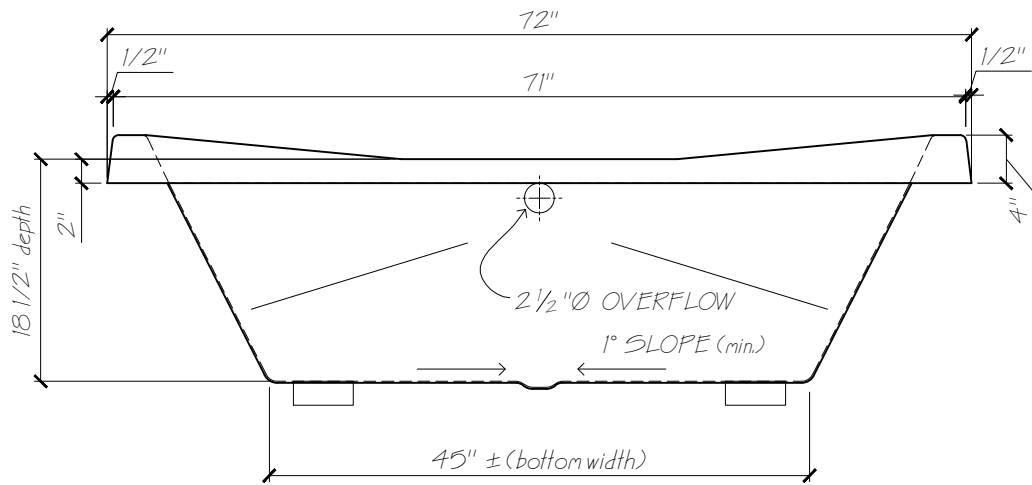


PLAN VIEW



SIDE VIEW



FRONT VIEW



Name: OSOYOOS3

Date: 26-07-12

Scale: 3/4"=1'

File: Osoyoos3-3d.dwg

Drawn: AAJimenez



Phone: 604-854-5757

Fax: 604-852-1850