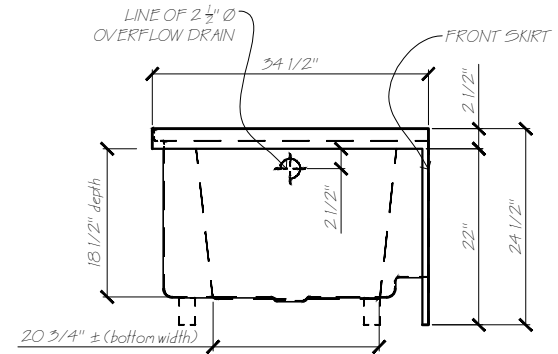
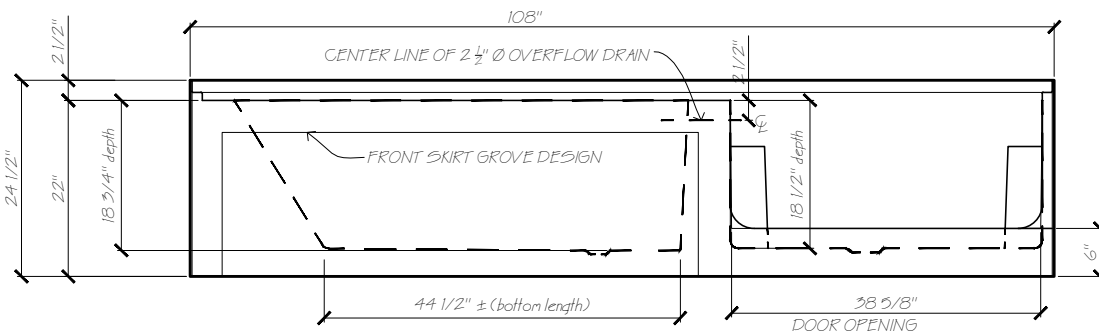


PLAN VIEW



LEFT SIDE VIEW



FRONT VIEW

Name: PALLADIUM9 R/H

Date: 11-11-16

Scale: 1/2" = 1'

File: Palladium9R/H-3d.dwg Drawn: AAJimenez



Phone: 604-854-5757

Fax: 604-852-1850