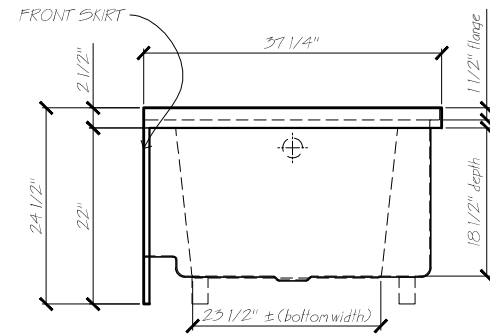


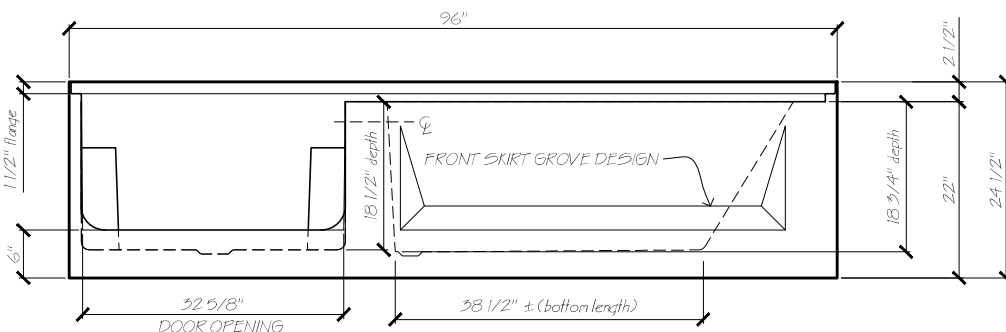
PLAN VIEW



SIDE VIEW



Door Opening: 32 5/8"



FRONT VIEW

WATER CAPACITY
OPERATIONAL
LEVEL

LITRES: 227 L
GALLONS: 58 G

Name: PEMBERTON L/H

Date: 09-07-12

Scale: 1/2" = 1'

File: PembertonLH-3d.dwg Drawn: AAJ



Phone: 604-854-5757

Fax: 604-852-1850