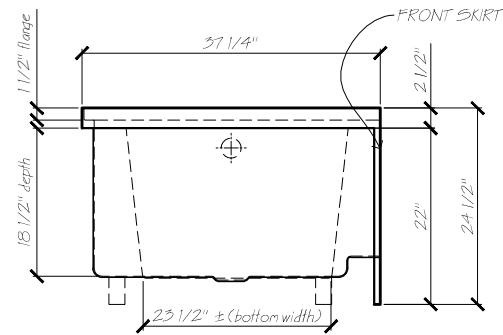
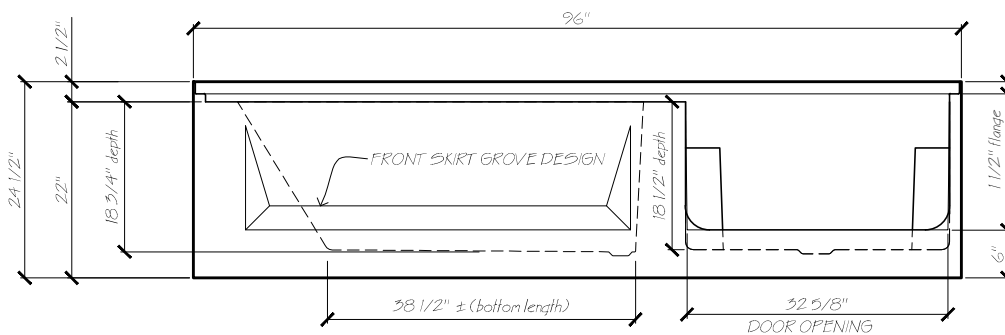


PLAN VIEW



SIDE VIEW



FRONT VIEW

Door Opening: 32 5/8"

WATER CAPACITY
OPERATIONAL
LEVEL

LITRES: 227 L
GALLONS: 58 G

Name: PEMBERTON R/H

Date: 10-07-12

Scale: 1/2" = 1'

File: PembertonRH-3d.dwg Drawn: AAJ



Phone: 604-854-5757
Fax: 604-852-1850